

Network UPS Tools User Manual

REVISION HISTORY

NUMBER	DATE	DESCRIPTION	NAME
2.6.0	2011-01-14	First release of AsciiDoc documentation for Network UPS Tools (NUT).	

Contents

1	Introduction	1
2	Network UPS Tools Overview	1
2.1	Description	1
2.2	Installing	1
2.3	Upgrading	1
2.4	Configuring and using	1
2.5	Documentation	1
2.6	Network Information	2
2.7	Manifest	2
2.8	Drivers	2
2.8.1	Extra Settings	3
2.8.2	Hardware Compatibility List	3
2.8.3	Generic Device Drivers	3
2.8.4	UPS Shutdowns	4
2.8.5	Power distribution unit management	4
2.9	Network Server	4
2.10	Monitoring client	4
2.10.1	Master	4
2.10.2	Slave	4
2.10.3	Additional Information	5
2.11	Clients	5
2.11.1	upsc	5
2.11.2	upslog	5
2.11.3	upsrw	5
2.11.4	upscmd	6
2.12	CGI Programs	6
2.12.1	Access Restrictions	7
2.12.2	upsstats	7
2.12.3	upsimage	7
2.12.4	upsset	7
2.13	Version Numbering	7
2.14	Backwards and Forwards Compatibility	7
2.15	Support / Help / etc.	8
2.16	Hacking / Development Info	8
2.17	Acknowledgements / Contributions	8

3	Features	8
3.1	Multiple manufacturer and device support	8
3.2	Multiple architecture support	9
3.3	Layered and modular design with multiple processes	9
3.4	Redundancy support - Hot swap/high availability power supplies	9
3.5	Security and access control	9
3.6	Web-based monitoring	10
3.7	Free software	10
3.8	UPS management and control	10
3.9	Monitoring diagrams	10
3.9.1	"Simple" configuration	10
3.9.2	"Advanced" configuration	11
3.9.3	"Big Box" configuration	11
3.9.4	"Bizarre" configuration	12
3.10	Image credits	12
3.11	Compatibility information	12
3.11.1	Hardware	12
3.11.2	Operating systems	12
4	Download information	13
4.1	Source code	13
4.1.1	Stable tree: 2.6	13
4.1.2	Testing tree: 2.6.x-pre	13
4.1.3	Development tree:	13
	Code repository	13
	Browse code	14
	Snapshots	14
4.1.4	Older versions	14
4.2	Binary packages	14
4.3	Java packages	14
5	Installation instructions	14
5.1	Installing from source	14
5.1.1	Prepare your system	15
	System User creation	15
5.1.2	Build and install	15
	Configuration	15
	Build the programs	15
	Installation	16

State path creation	16
Ownership and permissions	16
5.2 Installing from packages	17
5.2.1 Debian, Ubuntu and other derivatives	17
5.2.2 Mandriva	17
5.2.3 Suse / Opensuse	17
5.2.4 Red Hat, Fedora and CentOS	18
5.2.5 FreeBSD	18
Binary package	18
Port	18
6 Configuration notes	19
6.1 Details about the configuration files	19
6.1.1 Generalities	19
6.1.2 Line spanning	20
6.2 Basic configuration	20
6.2.1 Driver configuration	20
6.2.2 Starting the driver(s)	21
6.2.3 Data server configuration (upsd)	21
6.2.4 Starting the data server	22
6.2.5 Check the UPS data	22
Status data	22
All data	23
6.2.6 Startup scripts	24
6.3 Configuring automatic shutdowns for low battery events	24
6.3.1 Shutdown design	24
6.3.2 How you set it up	25
NUT user creation	25
Reloading the data server	25
Power Off flag file	25
Securing upsmon.conf	26
Create a MONITOR directive for upsmon	26
Define a SHUTDOWNCMD for upsmon	26
Start upsmon	26
Checking upsmon	26
Startup scripts	27
Shutdown scripts	27
Testing shutdowns	27
6.3.3 Using suspend to disk	28

6.3.4	RAID warning	28
6.4	Typical setups for enterprise networks and data rooms	29
6.5	Typical setups for big servers with UPS redundancy	30
6.5.1	Example configuration	30
6.5.2	Multiple UPS shutdowns ordering	31
6.5.3	Other redundancy configurations	31
7	Advanced usage and scheduling notes	32
7.1	The simple approach, using your own script	32
7.1.1	How it works relative to upsmon	32
7.1.2	Setting up everything	32
7.1.3	Using more advanced features	33
7.1.4	Suppressing notify storms	33
7.2	The advanced approach, using upssched	33
7.2.1	How upssched works relative to upsmon	33
7.2.2	Setting up your upssched.conf	33
The big picture		34
Establishing timers		34
Executing commands immediately		34
7.2.3	Writing the command script handler	34
7.2.4	Early Shutdowns	35
7.2.5	Background	35
8	NUT outlets management and PDU notes	35
8.1	Introduction	36
8.2	NUT outlet data collection	36
8.3	Outlets on PDU	36
8.4	Outlets on UPS	36
8.5	Other type of devices	37
9	Notes on securing NUT	37
9.1	How to verify the NUT source code signature	37
9.2	System level privileges and ownership	37
9.3	NUT level user privileges	38
9.4	Network access control	38
9.4.1	NUT LISTEN directive	38
9.4.2	Firewall	38
Uncomplicated Firewall (UFW) support		39
9.4.3	TCP Wrappers	39
9.5	Configuring SSL	39

9.5.1	Install OpenSSL	40
9.5.2	Recompile and install NUT	40
9.5.3	Create a certificate and key for upsd	40
9.5.4	Figure out the hash for the key	40
9.5.5	Install the client-side certificate	40
9.5.6	Create the combined file for upsd	41
9.5.7	Note on certification authorities (CAs) and signed keys	41
9.5.8	Install the server-side certificate	41
9.5.9	Clean up the temporary files	41
9.5.10	Restart upsd	41
9.5.11	Point upsmon at the certificates	41
9.5.12	Recommended: make upsmon verify all connections with certificates	42
9.5.13	Recommended: force upsmon to use SSL	42
9.5.14	Restart upsmon	42
9.5.15	Recommended: sniff the connection to see it for yourself	42
9.5.16	Potential problems	42
9.5.17	Conclusion	43
9.6	chrooting and other forms of paranoia	43
9.6.1	Generalities	43
9.6.2	symlinks	44
9.6.3	upsmon	44
9.6.4	Config files	44
A	Glossary	45
B	Acknowledgements / Contributions	45
B.1	The NUT Team	45
B.1.1	Active members	45
B.1.2	Retired members	45
B.2	Our main supporter: Eaton	46
B.3	Supporting manufacturers	46
B.3.1	UPS manufacturers	46
B.3.2	Appliances manufacturers	46
B.4	Other contributors	47
B.5	Older entries (before 2005)	47

C	NUT command and variable naming scheme	47
C.1	Variables	48
C.1.1	device: General unit information	48
C.1.2	ups: General unit information	48
C.1.3	input: Incoming line/power information	49
C.1.4	output: Outgoing power/inverter information	50
C.1.5	Three-phase additions	50
	Phase Count Determination	50
	DOMAINs	50
	Specification (SPEC)	50
	CONTEXT	50
	Valid CONTEXTs	51
	Valid SPECs	51
C.1.6	EXAMPLES	51
C.1.7	battery: Any battery details	52
C.1.8	ambient: Conditions from external probe equipment	52
C.1.9	outlet: Smart outlet management	53
C.1.10	driver: Internal driver information	54
C.1.11	server: Internal server information	54
C.2	Instant commands	54
D	Hardware Compatibility List	55
E	Documentation	55
E.1	User Documentation	55
E.2	Developer Documentation	55
E.3	Offsite Links	55
E.4	News articles and Press releases	56
F	Support instructions	56
F.1	Documentation	56
F.2	Mailing lists	56
F.2.1	Request help	56
F.2.2	Post a patch, ask a development question, ...	57
F.2.3	Discuss packaging and related topics	57

G	Cables information	57
G.1	APC	57
G.1.1	940-0024C clone	57
G.1.2	940-0024E clone	57
G.1.3	940-0024C clone for Macs	57
G.2	Belkin	58
G.2.1	OmniGuard F6C***-RKM	58
G.3	Eaton	58
G.3.1	MGE Office Protection Systems	59
DB9-DB9 cable (ref 66049)		59
DB9-RJ45 cable		59
DB9-RJ12 cable		60
G.3.2	Powerware LanSafe	62
G.3.3	SOLA-330	62
G.4	HP - Compaq	63
G.4.1	Older Compaq UPS Family	63
G.5	Tripp-Lite	63
H	Configure options	64
H.1	Driver selection	64
H.2	Optional features	65
H.3	Other configuration options	66
H.4	Installation directories	67
H.5	Directories used by NUT at run-time	68
H.6	Things the compiler might need to find	69
H.7	HAL addons (deprecated)	69
I	Upgrading notes	69
I.1	Changes from 2.6.3 to 2.6.4	69
I.2	Changes from 2.6.2 to 2.6.3	70
I.3	Changes from 2.6.1 to 2.6.2	70
I.4	Changes from 2.6.0 to 2.6.1	70
I.5	Changes from 2.4.3 to 2.6.0	70
I.6	Changes from 2.4.2 to 2.4.3	70
I.7	Changes from 2.4.1 to 2.4.2	70
I.8	Changes from 2.4.0 to 2.4.1	70
I.9	Changes from 2.2.2 to 2.4.0	70
I.10	Changes from 2.2.1 to 2.2.2	71
I.11	Changes from 2.2.0 to 2.2.1	71

I.12	Changes from 2.0.5 to 2.2.0	71
I.13	Changes from 2.0.4 to 2.0.5	71
I.14	Changes from 2.0.3 to 2.0.4	71
I.15	Changes from 2.0.2 to 2.0.3	71
I.16	Changes from 2.0.1 to 2.0.2	72
I.17	Changes from 2.0.0 to 2.0.1	72
I.18	Changes from 1.4.0 to 2.0.0	72
J	Project history	73
J.1	Prototypes and experiments	73
J.1.1	May 1996: early status hacks	73
J.1.2	January 1997: initial protocol tests	73
J.1.3	September 1997: first client/server code	73
J.2	Smart UPS Tools	74
J.2.1	March 1998: first public release	74
J.2.2	June 1999: Redesigned, rewritten	74
J.3	Network UPS Tools	75
J.3.1	September 1999: new name, new URL	75
J.3.2	June 2001: common driver core	75
J.3.3	May 2002: casting off old drivers, IANA port, towards 1.0	75
J.4	Leaving 0.x territory	76
J.4.1	August 2002: first stable tree: NUT 1.0.0	76
J.4.2	November 2002: second stable tree: NUT 1.2.0	76
J.4.3	April 2003: new naming scheme, better driver glue, and an overhauled protocol	76
J.4.4	July 2003: third stable tree: NUT 1.4.0	77
J.4.5	July 2003: pushing towards 2.0	77
J.5	networkupstools.org	77
J.5.1	November 2003: a new URL	77
J.6	Second major version	77
J.6.1	March 2004: NUT 2.0.0	77
J.7	The change of leadership	78
J.7.1	February 2005: NUT 2.0.1	78

1 Introduction

The primary goal of the Network UPS Tools (NUT) project is to provide support for Power Devices, such as Uninterruptible Power Supplies, Power Distribution Units and Solar Controllers.

NUT provides many control and monitoring [features](#), with a uniform control and management interface.

More than 100 different manufacturers, and several thousands models are [compatible](#).

This software is the combined effort of many [individuals and companies](#).

This document intend to describe how to install software support for your [Power Devices](#) (UPS, PDU, . . .), and how to use the NUT project. It is not intended to explain what are, nor distinguish the different technologies that exist. For such information, have a look at the [General Power Devices Information](#).

If you wish to discover how everything came together, have a look at the [Project History](#).

2 Network UPS Tools Overview

2.1 Description

Network UPS Tools is a collection of programs which provide a common interface for monitoring and administering UPS, PDU and SCD hardware. It uses a layered approach to connect all of the parts.

Drivers are provided for a wide assortment of equipment. They understand the specific language of each device and map it back to a compatibility layer. This means both an expensive high end UPS, a simple "power strip" PDU, or any other power device can be handled transparently with a uniform management interface.

This information is cached by the network server `upsd`, which then answers queries from the clients. `upsd` contains a number of access control features to limit the abilities of the clients. Only authorized hosts may monitor or control your hardware if you wish. Since the notion of monitoring over the network is built into the software, you can hang many systems off one large UPS, and they will all shut down together. You can also use NUT to power on, off or cycle your data center nodes, individually or globally through PDU outlets.

Clients such as `upsmmon` check on the status of the hardware and do things when necessary. The most important task is shutting down the operating system cleanly before the UPS runs out of power. Other programs are also provided to log information regularly, monitor status through your web browser, and more.

2.2 Installing

If you are installing these programs for the first time, go read the [installation instructions](#) to find out how to do that. This document contains more information on what all of this stuff does.

2.3 Upgrading

When upgrading from an older version, always check the [upgrading notes](#) to see what may have changed. Compatibility issues and other changes will be listed there to ease the process.

2.4 Configuring and using

Once NUT is installed, refer to the [configuration notes](#) for directions.

2.5 Documentation

This is just an overview of the software. You should read the man pages, included example configuration files, and auxiliary documentation for the parts that you intend to use.

2.6 Network Information

These programs are designed to share information over the network. In the examples below, `localhost` is used as the hostname. This can also be an IP address or a fully qualified domain name. You can specify a port number if your `upsd` process runs on another port.

In the case of the program `upsc`, to view the variables on the UPS called `sparky` on the `upsd` server running on the local machine, you'd do this:

```
/usr/local/ups/bin/upsc sparky@localhost
```

The default port number is 3493. You can change this with "configure --with-port" at compile-time. To make a client talk to `upsd` on a specific port, add it after the hostname with a colon, like this:

```
/usr/local/ups/bin/upsc sparky@localhost:1234
```

This is handy when you have a mixed environment and some of the systems are on different ports.

The general form for UPS identifiers is this:

```
<upsname>[@<hostname>[:<port>]]
```

Keep this in mind when viewing the examples below.

2.7 Manifest

This package is broken down into several categories:

- **drivers** - These programs talk directly to your UPS hardware.
- **server** - `upsd` serves data from the drivers to the network.
- **clients** - They talk to `upsd` and do things with the status data.
- **cgi-bin** - Special class of clients that you can use with your web server.
- **scripts** - Contains various scripts, like the Perl and Python binding, integration bits and applications.

2.8 Drivers

These programs provide support for specific UPS models. They understand the protocols and port specifications which define status information and convert it to a form that `upsd` can understand.

To configure drivers, edit `ups.conf`. For this example, we'll have a UPS called "sparky" that uses the `apcsmart` driver and is connected to `/dev/ttyS1`. That's the second serial port on most Linux-based systems. The entry in `ups.conf` looks like this:

```
[sparky]
    driver = apcsmart
    port = /dev/ttyS1
```

To start and stop drivers, use `upsdrvctl`. By default, it will start or stop every UPS in the config file:

```
/usr/local/ups/bin/upsdrvctl start
/usr/local/ups/bin/upsdrvctl stop
```

However, you can also just start or stop one by adding its name:

```
/usr/local/ups/bin/upsdrvctl start sparky
/usr/local/ups/bin/upsdrvctl stop sparky
```

To find the driver name for your device, refer to the section below called "HARDWARE SUPPORT TABLE".

2.8.1 Extra Settings

Some drivers may require additional settings to properly communicate with your hardware. If it doesn't detect your UPS by default, check the driver's man page or help (-h) to see which options are available.

For example, the `usbhid-ups` driver allows you to use USB serial numbers to distinguish between units via the "serial" configuration option. To use this feature, just add another line to your `ups.conf` section for that UPS:

```
[sparky]
    driver = usbhid-ups
    port = auto
    serial = 1234567890
```

2.8.2 Hardware Compatibility List

The [Hardware Compatibility List](#) is available in the source directory (`nut-X.Y.Z/data/driver.list`), and is generally distributed with packages. For example, it is available on Debian systems as:

```
/usr/share/nut/driver.list
```

This table is also available [online](#).

If your driver has vanished, see the [FAQ](#) and [Upgrading notes](#).

2.8.3 Generic Device Drivers

NUT provides several generic drivers that support a variety of very similar models.

- The `genericups` driver supports many serial models that use the same basic principle to communicate with the computer. This is known as "contact closure", and basically involves raising or lowering signals to indicate power status. This type of UPS tends to be cheaper, and only provides the very simplest data about power and battery status. Advanced features like battery charge readings and such require a "smart" UPS and a driver which supports it. See the [genericups\(8\)](#) man page for more information.
- The `usbhid-ups` driver attempts to communicate with USB HID Power Device Class (PDC) UPSes. These units generally implement the same basic protocol, with minor variations in the exact set of supported attributes. This driver also applies several correction factors when the UPS firmware reports values with incorrect scale factors. See the [usbhid-ups\(8\)](#) man page for more information.
- The `blazer_ser` and `blazer_usb` drivers supports the Megatec / Q1 protocol that is used in many brands (Blazer, Energy Sistem, Fenton Technologies, Mustek and many others). See the [blazer\(8\)](#) man page for more information.
- The `snmp-ups` driver handles various SNMP enabled devices, from many different manufacturers. In SNMP terms, `snmp-ups` is a manager, that monitors SNMP agents. See the [snmp-ups\(8\)](#) man page for more information.
- The `powerman-pdu` is a bridge to the PowerMan daemon, thus handling all PowerMan supported devices. The PowerMan project supports several serial and networked PDU, along with Blade and IPMI enabled servers. See the [powerman-pdu\(8\)](#) man page for more information.

2.8.4 UPS Shutdowns

`upsdrvctl` can also shut down (power down) all of your UPS hardware.



Warning

if you play around with this command, expect your filesystems to die. Don't power off your computers unless they're ready for it:

```
/usr/local/ups/bin/upsdrvctl shutdown
/usr/local/ups/bin/upsdrvctl shutdown sparky
```

You should read the [Configuring automatic UPS shutdowns](#) chapter to learn more about when to use this feature. If called at the wrong time, you may cause data loss by turning off a system with a filesystem mounted read-write.

2.8.5 Power distribution unit management

NUT also provides an advanced support for power distribution units.

You should read the [Configuring automatic UPS shutdowns](#) chapter to learn more about when to use this feature.

2.9 Network Server

`upsd` is responsible for passing data from the drivers to the client programs via the network. It should be run immediately after `upsdrvctl` in your system's startup scripts.

`upsd` should be kept running whenever possible, as it is the only source of status information for the monitoring clients like `upsmo`.

2.10 Monitoring client

`upsmo` provides the essential feature that you expect to find in UPS monitoring software: safe shutdowns when the power fails. In the layered scheme of NUT software, it is a client. It has this separate section in the documentation since it is so important.

You configure it by telling it about UPSes that you want to monitor in `upsmo.conf`. Each UPS can be defined as one of two possible types:

2.10.1 Master

This UPS supplies power to the system running `upsmo`, and this system is also responsible for shutting it down when the battery is depleted. This occurs after any slave systems have disconnected safely.

If your UPS is plugged directly into a system's serial port, the `upsmo` process on that system should define that UPS as a master.

For a typical home user, there's one computer connected to one UPS. That means you run a driver, `upsd`, and `upsmo` in master mode.

2.10.2 Slave

This UPS may supply power to the system running `upsmo`, but this system can't shut it down directly.

Use this mode when you run multiple computers on the same UPS. Obviously, only one can be connected to the serial port on the UPS, and that system is the master. Everything else is a slave.

For a typical home user, there's one computer connected to one UPS. That means you run a driver, `upsd`, and `upsmo` in master mode.

2.10.3 Additional Information

More information on configuring upsmon can be found in these places:

- The [upsmon\(8\)](#) man page
- [Typical setups for big servers](#)
- [Configuring automatic UPS shutdowns](#) chapter
- The stock `upsmon.conf` that comes with the package

2.11 Clients

Clients talk to upsd over the network and do useful things with the data from the drivers. There are tools for command line access, and a few special clients which can be run through your web server as CGI programs.

For more details on specific programs, refer to their man pages.

2.11.1 upsc

upsc is a simple client that will display the values of variables known to upsd and your UPS drivers. It will list every variable by default, or just one if you specify an additional argument. This can be useful in shell scripts for monitoring something without writing your own network code.

upsc is a quick way to find out if your driver(s) and upsd are working together properly. Just run `upsc <ups>` to see what's going on, i.e.:

```
morbo:~$ upsc sparky@localhost
ambient.humidity: 035.6
ambient.humidity.alarm.maximum: NO,NO
ambient.humidity.alarm.minimum: NO,NO
ambient.temperature: 25.14
...
```

If you are interested in writing a simple client that monitors upsd, the source code for upsc is a good way to learn about using the upsclient functions.

See the [upsc\(8\)](#) man page and [NUT command and variable naming scheme](#) for more information.

2.11.2 upslog

upslog will write status information from upsd to a file at set intervals. You can use this to generate graphs or reports with other programs such as gnuplot.

2.11.3 upsrw

upsrw allows you to display and change the read/write variables in your UPS hardware. Not all devices or drivers implement this, so this may not have any effect on your system.

A driver that supports read/write variables will give results like this:

```
$ upsrw sparky@localhost
```

```
( many skipped )
```

```
[ups.test.interval]
Interval between self tests
Type: ENUM
Option: "1209600"
Option: "604800" SELECTED
Option: "0"
```

(more skipped)

On the other hand, one that doesn't support them won't print anything:

```
$ upsrw fenton@gearbox
```

(nothing)

`upsrw` requires administrator powers to change settings in the hardware. Refer to [upsd.users\(5\)](#) for information on defining users in `upsd`.

2.11.4 upscmd

Some UPS hardware and drivers support the notion of an instant command - a feature such as starting a battery test, or powering off the load. You can use `upscmd` to list or invoke instant commands if your hardware/drivers support them.

Use the `-l` command to list them, like this:

```
$ upscmd -l sparky@localhost
Instant commands supported on UPS [sparky@localhost]:
```

```
load.on - Turn on the load immediately
test.panel.start - Start testing the UPS panel
calibrate.start - Start run time calibration
calibrate.stop - Stop run time calibration
...
```

`upscmd` requires administrator powers to start instant commands. To define users and passwords in `upsd`, see [upsd.users\(5\)](#).

2.12 CGI Programs

The CGI programs are clients that run through your web server. They allow you to see UPS status and perform certain administrative commands from any web browser. Javascript and cookies are not required.

These programs are not installed or compiled by default. To compile and install them, first run `configure --with-cgi`, then do `make` and `make install`. If you receive errors about "gd" during configure, go get it and install it before continuing.

You can get the source here:

<http://www.libgd.org/>

In the event that you need `libpng` or `zlib` in order to compile `gd`, they can be found at these URLs:

<http://www.libpng.org/pub/png/pngcode.html>

<http://www.gzip.org/zlib/>

2.12.1 Access Restrictions

The CGI programs use `hosts.conf` to see if they are allowed to talk to a host. This keeps malicious visitors from creating queries from your web server to random hosts on the Internet.

If you get error messages that say "Access to that host is not authorized", you're probably missing an entry in your `hosts.conf`.

2.12.2 upsstats

`upsstats` generates web pages from HTML templates, and plugs in status information in the right places. It looks like a distant relative of APC's old Powerchute interface. You can use it to monitor several systems or just focus on one.

It also can generate IMG references to `upsimage`.

2.12.3 upsimage

This is usually called by `upsstats` via IMG SRC tags to draw either the utility or outgoing voltage, battery charge percent, or load percent.

2.12.4 upsset

`upsset` provides several useful administration functions through a web interface. You can use `upsset` to kick off instant commands on your UPS hardware like running a battery test. You can also use it to change variables in your UPS that accept user-specified values.

Essentially, `upsset` provides the functions of `upsrw` and `upscmd`, but with a happy pointy-clicky interface.

`upsset` will not run until you convince it that you have secured your system. You **must** secure your CGI path so that random interlopers can't run this program remotely. See the `upsset.conf` file. Once you have secured the directory, you can enable this program in that configuration file. It is not active by default.

2.13 Version Numbering

The version numbers work like this: if the middle number is odd, it's a development tree, otherwise it is the stable tree.

The past stable trees were 1.0, 1.2, 1.4, 2.0, 2.2 and 2.4, with the latest stable tree designated 2.6. The development trees were 1.1, 1.3, 1.5, 2.1 and 2.3. As of the 2.4 release, there is no real development branch anymore since the code is available through a revision control system (namely Subversion) and snapshots.

Major release jumps are mostly due to large changes to the features list. There have also been a number of architectural changes which may not be noticeable to most users, but which can impact developers.

2.14 Backwards and Forwards Compatibility

The old network code spans a range from about 0.41.1 when TCP support was introduced up to the recent 1.4 series. It used variable names like `STATUS`, `UTILITY`, and `LOADPCT`. Many of these names go back to the earliest prototypes of this software from 1997. At that point there was no way to know that so many drivers would come along and introduce so many new variables and commands. The resulting mess grew out of control over the years.

During the 1.3 development cycle, all variables and instant commands were renamed to fit into a tree-like structure. There are major groups, like `input`, `output` and `battery`. Members of those groups have been arranged to make sense - `input.voltage` and `output.voltage` compliment each other. The old names were `UTILITY` and `OUTVOLT`. The benefits in this change are obvious.

The 1.4 clients can talk to either type of server, and can handle either naming scheme. 1.4 servers have a compatibility mode where they can answer queries for both names, even though the drivers are internally using the new format.

When 1.4 clients talk to 1.4 or 2.0 (or more recent) servers, they will use the new names.

Here's a table to make it easier to visualize:

Client version	Server version			
	1.0	1.2	1.4	2.0+
1.0	yes	yes	yes	no
1.2	yes	yes	yes	no
1.4	yes	yes	yes	yes
2.0+	no	no	yes	yes

Version 2.0, and more recent, do not contain backwards compatibility for the old protocol and variable/command names. As a result, 2.0 clients can't talk to anything older than a 1.4 server. If you ask a 2.0 client to fetch "STATUS", it will fail. You'll have to ask for "ups.status" instead.

Authors of separate monitoring programs should have used the 1.4 series to write support for the new variables and command names. Client software can easily support both versions as long as they like. If upsd returns *ERR UNKNOWN-COMMAND* to a GET request, you need to use REQ.

2.15 Support / Help / etc.

If you are in need of help, refer to the [Support instructions](#) in the user manual.

2.16 Hacking / Development Info

Additional documentation can be found in:

- the [Developer Guide](#),
- the [Packager Guide](#).

2.17 Acknowledgements / Contributions

The many people who have participated in creating and improving NUT are listed in the user manual [acknowledgements appendix](#).

3 Features

NUT provides many features, and is always improving. Thus this list may lag behind the current code.

Features frequently appear during the development cycles, so be sure to look at the [release notes and change logs](#) to see the latest additions.

3.1 Multiple manufacturer and device support

- Monitors many UPS, PDU and SCD models from more than 100 manufacturers with a unified interface ([Hardware Compatibility List](#)).
- Various communication types are supported with the same common interface:
 - serial,
 - USB,
 - network (SNMP, Eaton / MGE XML/HTTP).

3.2 Multiple architecture support

- Cross-platform - different flavors of Unix can be managed together with a common set of tools, even crossing architectures.
- This software has been reported to run on Linux distributions, the BSDs, Apple's OS X, Solaris, IRIX, HP/UX, Tru64 Unix, and AIX.
- Windows users may be able to build it directly with Cygwin. There is also a port of the client-side monitoring to Windows called WinNUT.
- Your system will probably run it too. You just need a good C compiler and possibly some more packages to gain access to the serial ports. Other features, such as USB / SNMP / whatever, will also need extra software installed.

3.3 Layered and modular design with multiple processes

- Three layers: drivers, server, clients.
- Drivers run on the same host as the server, and clients communicate with the server over the network.
- This means clients can monitor any UPS anywhere as long as there is a network path between them.

**Warning**

Be sure to plug your network's physical hardware (switches, hubs, routers, bridges, ...) into the UPS!

3.4 Redundancy support - Hot swap/high availability power supplies

- upsmon can handle high-end servers which receive power from multiple UPSes simultaneously.
- upsmon won't initiate a shutdown until the total power situation across all source UPSes becomes critical (on battery and low battery).
- You can lose a UPS completely as long as you still have at least the minimum number of sources available. The minimum value is configurable.

3.5 Security and access control

- Manager functions are granted with per-user granularity. The admin can have full powers, while the admin's helper can only do specific non-destructive tasks such as a battery test.
 - The drivers, server, and monitoring client (upsmon) can all run as separate user IDs if this is desired for privilege separation.
 - Only one tiny part of one program has root powers. upsmon starts as root and forks an unprivileged process which does the actual monitoring over the network. They remain connected over a pipe. When a shutdown is necessary, a single character is sent to the privileged process. It then calls the predefined shutdown command. In any other case, the privileged process exits. This was inspired by the auth mechanism in Solar Designer's excellent popa3d.
 - The drivers and network server may be run in a chroot jail for further security benefits. This is supported directly since version 1.4 and beyond with the *chroot=* configuration directive.
 - IP-based access control relies on the local firewall and **TCP Wrapper**.
 - SSL is available as a build option ("--with-ssl"). It encrypts sessions with upsd and can also be used to authenticate servers.
-

3.6 Web-based monitoring

- Comes stock with CGI-based web interface tools for UPS monitoring and management, including graphical status displays.
- Custom status web pages may be generated with the CGI programs, since they use templates to create the pages. This allows you to have status pages which fit the look and feel of the rest of your site.

3.7 Free software

- That's free beer and free speech. Licensed under the GNU General Public License version 2 or later.
- Know your systems - all source code is available for inspection, so there are no mysteries or secrets in your critical monitoring tools.

3.8 UPS management and control

- Writable variables may be edited on higher end equipment for local customizations
- Status monitoring can generate notifications (email/pager/SMS/...) on alert conditions
- Alert notices may be dampened to only trigger after a condition persists. This avoids the usual pager meltdown when something happens and no delay is used.
- Maintenance actions such as battery runtime calibration are available where supported by the UPS hardware.
- Power statistics can be logged in custom formats for later retrieval and analysis
- All drivers are started and stopped with one common program. Starting one is as easy as starting ten: *upsdrvctl start*.
- Shutdowns and other procedures may be tested without stressing actual UPS hardware by simulating status values with the dummy-ups pseudo-driver. Anything which can happen in a driver can be replicated with dummy-ups.

3.9 Monitoring diagrams

These are the most common situations for monitoring UPS hardware. Other ways are possible, but they are mostly variants on these four.

Note

these examples show serial communications for simplicity, but USB or SNMP or any other monitoring is also possible.

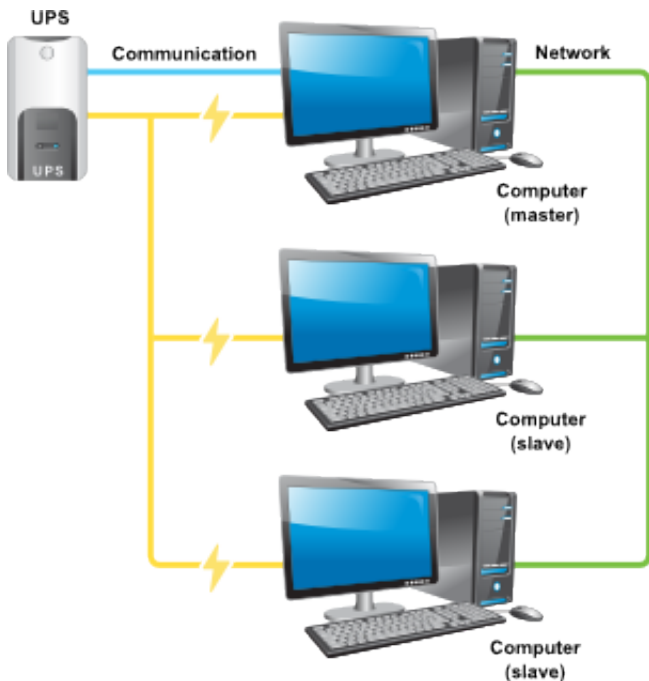
3.9.1 "Simple" configuration



One UPS, one computer. This is also known as "Standalone" configuration.

This is the configuration that most users will use. You need at least a driver, *upsd*, and *upsmon* running.

3.9.2 "Advanced" configuration



One UPS, multiple computers. Only one of them can actually talk to the UPS directly. That's where the network comes in. The Master system runs the driver, upsd, and upsmon in master mode. The Slave systems only run upsmon in slave mode.

This is useful when you have a very large UPS that's capable of running multiple systems simultaneously. There is no longer the need to buy a bunch of individual UPSes or "sharing" hardware, since this software will handle the sharing for you.

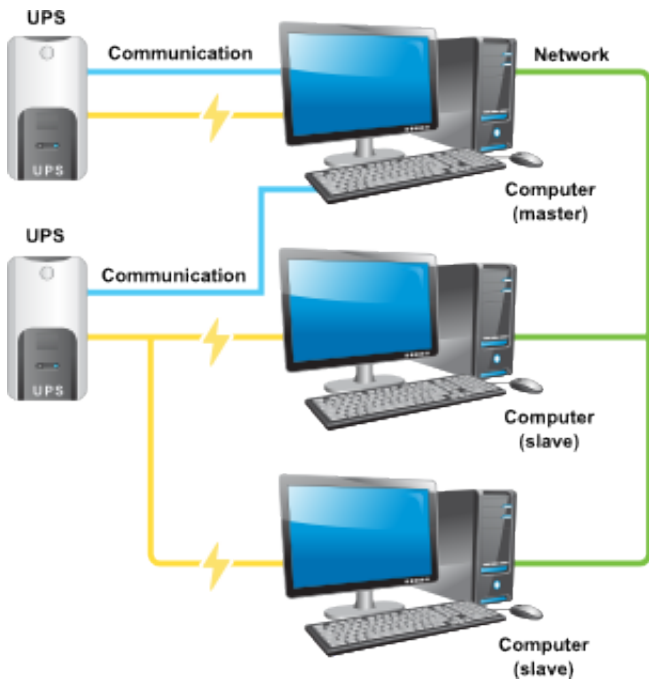
3.9.3 "Big Box" configuration



Some systems have multiple power supplies and cords. You typically find this on high-end servers that allow hot-swap and other fun features. In this case, you run multiple drivers (one per UPS), a single upsd, and a single upsmon (as master for both UPS 1 and UPS 2)

This software understands that some of these servers can also run with some of the supplies gone. For this reason, every UPS is assigned a "power value" - the quantity of power supplies that it feeds on a system. The total available "power value" is compared to the minimum that is required for that hardware. For example, if you have 3 power supplies and 3 UPSes, but only 2 supplies must be running at any given moment, the minimum would be 2. This means that you can safely lose any one UPS and the software will handle it properly by remaining online.

3.9.4 "Bizarre" configuration



You can even have a UPS that has the serial port connected to a system that it's not feeding. Sometimes a PC will be close to a UPS that needs to be monitored, so it's drafted to supply a serial port for the purpose. This PC may in fact be getting power from some other UPS. This is not a problem.

The first system ("mixed") is a Master for UPS 1, but is only monitoring UPS 2. The other systems are Slaves of UPS 2.

3.10 Image credits

Thanks to Eaton for providing shiny modern graphics.

3.11 Compatibility information

3.11.1 Hardware

The current list of hardware supported by NUT can be viewed [here](#).

3.11.2 Operating systems

This software has been reported to run on:

- Linux distributions,
- the BSDs,
- Apple's OS X,
- Sun Solaris,
- SGI IRIX,
- HP/UX,
- Tru64 Unix,

- AIX.

There is also a port of the client-side monitoring to Windows called WinNUT. Windows users may be able to build it directly with Cygwin.

Your system will probably run it too. You just need a good C compiler and possibly some more packages to gain access to the serial ports. Other features, such as USB / SNMP / whatever, will also need extra software installed.

Success reports are welcomed to keep this list accurate.

4 Download information

This section presents the different methods to download NUT.

4.1 Source code

Note

You should always use PGP/GPG to verify the signatures before using any source code. You can use the - Else, you can read the [following procedure](#). to do so.

4.1.1 Stable tree: 2.6

-
-
-
-
-
-

- [ChangeLog](#)

You can also browse the [stable source directory](#).

4.1.2 Testing tree: 2.6.x-pre

There is currently no testing release.

4.1.3 Development tree:

Code repository

The development tree is available through a Subversion repository hosted on the [Debian Alioth server](#).

To retrieve the current development tree, use the following command:

```
$ svn co svn://anonscm.debian.org/nut/trunk
```

To generate the build scripts, you must call, from the *trunk* directory:

```
$ ./autogen.sh
```

Then refer to the [NUT user manual](#) for more information.

Note

Users that need the latest developments to support new devices **must** use [snapshots](#).

Browse code

You can also browse the code with [WebSvn](#), or through the [Trac mirror](#), kindly hosted and maintained by Charles Lepple.

Snapshots

The latest Subversion developments are available through [snapshots on the Buildbot](#). Look for the latest **[tarball]** link on the top of the page.

4.1.4 Older versions

[Browse source directory](#)

4.2 Binary packages

Note

The only official releases from this project are source code.

NUT is already available in the following systems:

- Linux: [Arch Linux](#), [Debian](#), [Gentoo Linux](#), [Mandriva](#), [Red Hat / Fedora](#), [Novell Suse / openSUSE](#), [OpenWrt](#), [Ubuntu](#).
- BSD systems: [FreeBSD](#), [NetBSD](#), [OpenBSD](#).
- Mac OS X: [Fink](#), [MacPorts](#)
- Windows (complete port, Beta): [Windows MSI installer 2.6.3-3](#)

4.3 Java packages

- NUT Java support (client side, Beta) [jNUT 0.2-SNAPSHOT](#)
- NUT Java Web support (client side using REST, Beta) [jNutWebAPI 0.2-SNAPSHOT \(sources\)](#)

5 Installation instructions

This chapter describe the various methods for installing Network UPS Tools.

Whenever it is possible, prefer [installing from packages](#). Packagers have done an excellent and hard work at improving NUT integration into their system.

5.1 Installing from source

These are the essential steps for compiling and installing this software.

The NUT [Packager Guide](#), which presents the best practices for installing and integrating NUT, is also a good reading.

Keep in mind that...

- the paths shown below are the default values you get by just calling `configure` by itself. If you have used `--prefix` or similar, things will be different. Also, if you didn't install this program from source yourself, the paths will probably have a number of differences.
- by default, your system probably won't find the man pages, since they install to `/usr/local/ups/man`. You can fix this by editing your `MANPATH`, or just do this:

```
man -M /usr/local/ups/man <man page>
```

- if your favorite system offers up to date binary packages, you should always prefer these over a source installation. Along with the known advantages of such systems for installation, upgrade and removal, there are many integration issues that have been addressed.
-

5.1.1 Prepare your system

System User creation

Create at least one system user and a group for running this software. You might call them "ups" and "nut". The exact names aren't important as long as you are consistent.

The process for doing this varies from one system to the next, and explaining how to add users is beyond the scope of this document.

For the purposes of this document, the user name and group name will be *ups* and *nut* respectively.

Be sure the new user is a member of the new group! If you forget to do this, you will have problems later on when you try to start `upsd`.

5.1.2 Build and install

Configuration

Configure the source tree for your system. Add the `--with-user` and `--with-group` switch to set the user name and group that you created above.

```
./configure --with-user=ups --with-group=nut
```

If you need any other switches for `configure`, add them here. For example:

- to build and install USB drivers, add `--with-usb` (note that you need to install `libusb` development package or files).
- to build and install SNMP drivers, add `--with-snmp` (note that you need to install `libsnmp` development package or files).
- to build and install CGI scripts, add `--with-cgi`.

See [Configure options](#) from the User Manual, `docs/configure.txt` or `./configure --help` for all the available options.

If you alter paths with additional switches, be sure to use those new paths while reading the rest of the steps.

Reference: [Configure options](#) from the User Manual.

Build the programs

```
make
```

This will build the NUT client and server programs and the selected drivers. It will also build any other features that were selected during [configuration](#) step above.

Installation

Note

you should now gain privileges for installing software if necessary:

```
su
```

Install the files to a system level directory:

```
make install
```

This will install the compiled programs and man pages, as well as some data files required by NUT. Any optional features selected during configuration will also be installed.

This will also install sample versions of the NUT configuration files. Sample files are installed with names like `ups.conf.sample` so they will not overwrite any existing real config files you may have created.

If you are packaging this software, then you will probably want to use the `DESTDIR` variable to redirect the build into another place, i.e.:

```
make DESTDIR=/tmp/package install
make DESTDIR=/tmp/package install-conf
```

State path creation

Create the state path directory for the driver(s) and server to use for storing UPS status data and other auxiliary files, and make it owned by the user you created.

```
mkdir -p /var/state/ups
chmod 0770 /var/state/ups
chown root:nut /var/state/ups
```

Ownership and permissions

Set ownership data and permissions on your serial or USB ports that go to your UPS hardware. Be sure to limit access to just the user you created earlier.

These examples assume the second serial port (`ttyS1`) on a typical Slackware system. On FreeBSD, that would be `cuaa1`. Serial ports vary greatly, so yours may be called something else.

```
chmod 0660 /dev/ttyS1
chown root:nut /dev/ttyS1
```

The setup for USB ports is slightly more complicated. Device files for USB devices, such as `/proc/bus/usb/002/001`, are usually created "on the fly" when a device is plugged in, and disappear when the device is disconnected. Moreover, the names of these device files can change randomly. To set up the correct permissions for the USB device, you may need to set up (operating system dependent) hotplugging scripts. Sample scripts and information are provided in the `scripts/hotplug` and `scripts/udev` directories. For most users, the hotplugging scripts will be installed automatically by "make install".

(If you want to try if a driver works without setting up hotplugging, you can add the `"-u root"` option to `upsd`, `upsmon`, and `drivers`; this should allow you to follow the below instructions. However, don't forget to set up the correct permissions later!).

Note

if you are using something like `devfs` or `udev`, make sure these permissions stay set across a reboot. If they revert to the old values, your drivers may fail to start.

You are now ready to configure NUT, and start testing and using it.

You can jump directly to the [NUT configuration](#).

5.2 Installing from packages

This chapter describes the specific installation steps when using binary packages that exist on various major systems.

5.2.1 Debian, Ubuntu and other derivatives

Note

NUT is packaged and well maintained in these systems. The official Debian packager is part of the NUT Team.

Using your preferred method (`apt-get`, `aptitude`, `Synaptic`, ...), install the `nut` package, and optionally the following:

- `nut-cgi`, if you need the CGI (HTML) option,
- `nut-snmp`, if you need the `snmp-ups` driver,
- `nut-xml`, for the `netxml-ups` driver,
- `nut-powerman-pdu`, to control the PowerMan daemon (PDU management)
- `nut-dev`, if you need the development files.

Configuration files are located in `/etc/nut`. `nut.conf(5)` must be edited to be able to invoke `/etc/init.d/nut`

Note

Ubuntu users can access the APT URL installation by clicking on [this link](#).

5.2.2 Mandriva

Note

NUT is packaged and well maintained in these systems. The official Mandriva packager is part of the NUT Team.

Using your preferred method (`urpmi`, `RPMdrake`, ...), install one of the two below packages:

- `nut-server` if you have a `standalone` or `netserver` installation,
- `nut` if you have a `netclient` installation.

Optionally, you can also install the following:

- `nut-cgi`, if you need the CGI (HTML) option,
- `nut-devel`, if you need the development files.

5.2.3 Suse / Opensuse

Note

NUT is packaged and well maintained in these systems. The official Suse packager is part of the NUT Team.

Install the `nut-classic` package, and optionally the following:

- *nut-drivers-net*, if you need the snmp-ups or the netxml-ups drivers,
- *nut-cgi*, if you need the CGI (HTML) option,
- *nut-devel*, if you need the development files,

Note

Suse and Opensuse users can use the [one-click install method](#) to install NUT.

5.2.4 Red Hat, Fedora and CentOS

Note

NUT is packaged and well maintained in these systems. The official Red Hat packager is part of the NUT Team.

Using your preferred method (yum, Add/Remove Software, . . .), install one of the two below packages:

- *nut* if you have a *standalone* or *netserver* installation,
- *nut-client* if you have a *netclient* installation.

Optionally, you can also install the following:

- *nut-cgi*, if you need the CGI (HTML) option,
- *nut-xml*, if you need the netxml-ups driver,
- *nut-devel*, if you need the development files.

5.2.5 FreeBSD

You can either install NUT as a binary package or as a port.

Binary package

To install the main component, use the following command:

```
# pkg_add -r nut
```

Port

The port is located under `/usr/ports/sysutils/nut`. To install it, use the following command:

```
# cd /usr/ports/sysutils/nut/ && make install clean
```

You have to define `WITH_NUT_CGI` to build the optional CGI scripts.

Optionally, you can also install the following ports:

- `sysutils/nut-snmp`, for the SNMP driver,
- `sysutils/nut-usb`, for the USB drivers,
- `sysutils/nut-libupsclient`, for the upsclient library.

You are now ready to configure NUT, and start testing and using it.

You can jump directly to the [NUT configuration](#).

6 Configuration notes

This chapter describe most of the configuration and use aspects of NUT, including establishing communication with the device and configuring safe shutdowns when the UPS battery runs out of power.

There are many programs and [features](#) in this package. You should check out the [NUT Overview](#) and other accompanying documentation to see how it all works.

Note

NUT does not currently provide proper graphical configuration tools. However, there is now support for [Augeas](#), which will enable the easier creation of configuration tools. Moreover, [nut-scanner\(8\)](#) is available to discover supported devices (USB, SNMP, Eaton XML/HTTP and IPMI) and NUT servers (using Avahi or the classic connection method).

6.1 Details about the configuration files

6.1.1 Generalities

All configuration files within this package are parsed with a common state machine, which means they all can use a number of extras described here.

First, most of the programs use an uppercase word to declare a configuration directive. This may be something like MONITOR, NOTIFYCMD, or ACCESS. The case does matter here. "monitor" won't be recognized.

Next, the parser does not care about whitespace between words. If you like to indent things with tabs or spaces, feel free to do it here.

If you need to set a value to something containing spaces, it has to be contained within "quotes" to keep the parser from splitting up the line. That is, you want to use something like this:

```
SHUTDOWNCMD "/sbin/shutdown -h +0"
```

Without the quotes, it would only see the first word on the line.

OK, so let's say you really need to embed that kind of quote within your configuration directive for some reason. You can do that too.

```
NOTIFYCMD "/bin/notifyme -foo -bar \"hi there\" -baz"
```

In other words, \ can be used to escape the ".

Finally, for the situation where you need to put the \ character into your string, you just escape it.

```
NOTIFYCMD "/bin/notifyme c:\\dos\\style\\path"
```

The \ can actually be used to escape any character, but you only really need it for \, ", and # as they have special meanings to the parser.

When using file names with space characters, you may end up having tricky things since you need to write them inside "" which must be escaped:

```
NOTIFYCMD "\"c:\\path with space\\notifyme\" \"c:\\path with space\\name\""
```

is the comment character. Anything after an unescaped # is ignored.

Something like this...

```
identity = my#lups
```

- i. will actually turn into "identity = my", since the # stops the parsing. If you really need to have a # in your configuration, then escape it.

```
identity = my\#lups
```

Much better.

The = character should be used with care too. There should be only one "simple" = character in a line: between the parameter name and its value. All other = characters should be either escaped or within "quotes".

```
password = 123=123
```

- i. is incorrect. You should use:

```
password = 123\=123
```

- ii. or :

```
password = "123=123"
```

6.1.2 Line spanning

You can put a backslash at the end of the line to join it to the next one. This creates one virtual line that is composed of more than one physical line.

Also, if you leave the "" quote container open before a newline, it will keep scanning until it reaches another one. If you see bizarre behavior in your configuration files, check for an unintentional instance of quotes spanning multiple lines.

6.2 Basic configuration

This chapter describe the base configuration to establish communication with the device.

This will be sufficient for PDU. But for UPS and SCD, you will also need to configure [automatic shutdowns for low battery events](#).



6.2.1 Driver configuration

Create one section per UPS in /usr/local/ups/etc/ups.conf

To find out which driver to use, check the [Hardware Compatibility List](#), or data/driver.list.

Once you have picked a driver, create a section for your UPS in ups.conf. You must supply values for "driver" and "port".

Some drivers may require other flags or settings. The "desc" value is optional, but is recommended to provide a better description of what your UPS is supporting.

A typical device without any extra settings looks like this:

```
[mydevice]
    driver = mydriver
    port = /dev/ttyS1
    desc = "Workstation"
```

Note

USB drivers (`usbhid-ups`, `bcmxcp_usb`, `tripplite_usb`, `blazer_usb` and `richcomm_usb`) are special cases and ignore the `port` value. You must still set this value, but it does not matter what you set it to; a common and good practice is to set `port` to **auto**, but you can put whatever you like. If you only own one UBS UPS, the driver will find it automatically. If you own more than one, refer to the driver's manual page for more information on matching a specific device.

References: [ups.conf\(5\)](#), [nutupdrv\(8\)](#), [bcmxcp_usb\(8\)](#), [blazer\(8\)](#), [richcomm_usb\(8\)](#), [tripplite_usb\(8\)](#), [usbhid-ups\(8\)](#)

6.2.2 Starting the driver(s)

Start the driver(s) for your hardware:

```
/usr/local/ups/bin/upsdrvctl start
```

Make sure the driver doesn't report any errors. It should show a few details about the hardware and then enter the background. You should get back to the command prompt a few seconds later. For reference, a successful start of the `usbhid-ups` driver looks like this:

```
# /usr/local/ups/bin/upsdrvctl start
Network UPS Tools - Generic HID driver 0.34 (2.4.1)
USB communication driver 0.31
Using subdriver: MGE HID 1.12
Detected EATON - Ellipse MAX 1100 [ADKK22008]
```

If the driver doesn't start cleanly, make sure you have picked the right one for your hardware. You might need to try other drivers by changing the "driver=" value in `ups.conf`.

Be sure to check the driver's man page to see if it needs any extra settings in `ups.conf` to detect your hardware.

If it says "can't bind /var/state/ups/..." or similar, then your state path probably isn't writable by the driver. Check the [permissions and mode on that directory](#).

After making changes, try the [Ownership and permissions](#) step again.

References: man pages: [nutupdrv\(8\)](#), [upsdrvctl\(8\)](#)

6.2.3 Data server configuration (upsd)

Configure `upsd`, which serves data from the drivers to the clients.

First, edit `upsd.conf` to allow access to your client systems. By default, `upsd` will only listen to localhost port 3493/tcp. If you want to connect to it from other machines, you must specify each interface you want `upsd` to listen on for connections, optionally with a port number.

```
LISTEN 127.0.0.1 3493
LISTEN :::1 3493
```

Note

Refer to the NUT user manual [security chapter](#) for information on how to access and secure `upsd` clients connections.

Next, create `upsd.users`. For now, this can be an empty file. You can come back and add more to it later when it's time to configure `upsmon` or run one of the management tools.

Do not make either file world-readable, since they both hold access control data and passwords. They just need to be readable by the user you created in the preparation process.

The suggested configuration is to `chown` it to root, `chgrp` it to the group you created, then make it readable by the group.

```
chown root:nut upsd.conf upsd.users
chmod 0640 upsd.conf upsd.users
```

References: man pages: [upsd.conf\(5\)](#), [upsd.users\(5\)](#), [upsd\(8\)](#)

6.2.4 Starting the data server

Start the network data server:

```
/usr/local/ups/sbin/upsd
```

Make sure it is able to connect to the driver(s) on your system. A successful run looks like this:

```
# /usr/local/ups/sbin/upsd
Network UPS Tools upsd 2.4.1
listening on 127.0.0.1 port 3493
listening on :::1 port 3493
Connected to UPS [eaton]: usbhid-ups-eaton
```

`upsd` prints dots while it waits for the driver to respond. Your system may print more or less depending on how many drivers you have and how fast they are.

Note

if `upsd` says that it can't connect to a UPS or that the data is stale, then your `ups.conf` is not configured correctly, or you have a driver that isn't working properly. You must fix this before going on to the next step.

Reference: man page: [upsd\(8\)](#)

6.2.5 Check the UPS data

Status data

Make sure that the UPS is providing good status data.

```
/usr/local/ups/bin/upsc myupsname@localhost ups.status
```

You should see just one line in response:

OL

OL means your system is running on line power. If it says something else (like OB - on battery, or LB - low battery), your driver was probably misconfigured during the [Driver configuration](#) step. If you reconfigure the driver, use `upsdrvctl stop` to stop it, then start it again as shown in the [Starting driver\(s\)](#) step.

Reference: man page: [upsc\(8\)](#)

All data

Look at all of the status data which is being monitored.

```
/usr/local/ups/bin/upsc myupsname@localhost
```

What happens now depends on the kind of device and driver you have. In the list, you should see `ups.status` with the same value you got above. A sample run on a UPS (Eaton Ellipse MAX 1100) looks like this:

```
battery.charge: 100
battery.charge.low: 20
battery.runtime: 2525
battery.type: PbAc
device.mfr: EATON
device.model: Ellipse MAX 1100
device.serial: ADKK22008
device.type: ups
driver.name: usbhid-ups
driver.parameter.pollfreq: 30
driver.parameter.pollinterval: 2
driver.parameter.port: auto
driver.version: 2.4.1-1988:1990M
driver.version.data: MGE HID 1.12
driver.version.internal: 0.34
input.sensitivity: normal
input.transfer.boost.low: 185
input.transfer.high: 285
input.transfer.low: 165
input.transfer.trim.high: 265
input.voltage.extended: no
outlet.1.desc: PowerShare Outlet 1
outlet.1.id: 2
outlet.1.status: on
outlet.1.switchable: no
outlet.desc: Main Outlet
outlet.id: 1
outlet.switchable: no
output.frequency.nominal: 50
output.voltage: 230.0
output.voltage.nominal: 230
ups.beeper.status: enabled
ups.delay.shutdown: 20
ups.delay.start: 30
ups.firmware: 5102AH
ups.load: 0
ups.mfr: EATON
ups.model: Ellipse MAX 1100
ups.power.nominal: 1100
ups.productid: ffff
ups.serial: ADKK22008
ups.status: OL CHRG
ups.timer.shutdown: -1
ups.timer.start: -1
ups.vendorid: 0463
```

Reference: man page: [upsc\(8\)](#), [NUT command and variable naming scheme](#)

6.2.6 Startup scripts

Note

This step is not need if you installed from packages.

Edit your startup scripts, and make sure `upsdrvctl` and `upsd` are run every time your system starts.

6.3 Configuring automatic shutdowns for low battery events

The whole point of UPS software is to bring down the OS cleanly when you run out of battery power. Everything else is roughly eye candy.

To make sure your system shuts down properly, you will need to perform some additional configuration and run `upsmon`. Here are the basics.

6.3.1 Shutdown design

When your UPS batteries get low, the operating system needs to be brought down cleanly. Also, the UPS load should be turned off so that all devices that are attached to it are forcibly rebooted.

Here are the steps that occur when a critical power event happens:

1. The UPS goes on battery
2. The UPS reaches low battery (a "critical" UPS), that is to say `upsc` displays:

```
ups.status: OB LB
```

The exact behavior depends on the specific device, and is related to:

- `battery.charge` and `battery.charge.low`
 - `battery.runtime` and `battery.runtime.low`
3. The `upsmon` master notices and sets "FSD" - the "forced shutdown" flag to tell all slave systems that it will soon power down the load.
(If you have no slaves, skip to step 6)
 4. `upsmon` slave systems see "FSD" and:
 - generate a `NOTIFY_SHUTDOWN` event
 - wait `FINALDELAY` seconds - typically 5
 - call their `SHUTDOWNCMD`
 - disconnect from `upsd`
 5. The `upsmon` master system waits up to `HOSTSYNC` seconds (typically 15) for the slaves to disconnect from `upsd`. If any are connected after this time, `upsmon` stops waiting and proceeds with the shutdown process.
 6. The `upsmon` master:
 - generates a `NOTIFY_SHUTDOWN` event
 - waits `FINALDELAY` seconds - typically 5
 - creates the `POWERDOWNFLAG` file - usually `/etc/killpower`
 - calls the `SHUTDOWNCMD`
-

7. On most systems, `init` takes over, kills your processes, syncs and unmounts some filesystems, and remounts some read-only.
8. `init` then runs your shutdown script. This checks for the `POWERDOWNFLAG`, finds it, and tells the UPS driver(s) to power off the load.
9. The system loses power.
10. Time passes. The power returns, and the UPS switches back on.
11. All systems reboot and go back to work.

6.3.2 How you set it up

NUT user creation

Create a `upsd` user for `upsmon` to use while monitoring this UPS.

Edit `upsd.users` and create a new section. `upsmon` will connect to `upsd` and use this user name (in brackets) and password to authenticate. This example is for a user called "monuser":

```
[monuser]
    password = mypass
    upsmon master
    # or upsmon slave
```

References: [upsd\(8\)](#), [upsd.users\(5\)](#)

Reloading the data server

Reload `upsd`. Depending on your configuration, you may be able to do this without stopping `upsd`:

```
/usr/local/ups/sbin/upsd -c reload
```

If that doesn't work (check the `syslog`), just restart it:

```
/usr/local/ups/sbin/upsd -c stop
/usr/local/ups/sbin/upsd
```

Note

if you want to make reloading work later, see the entry in the [FAQ](#) about starting `upsd` as a different user.

Power Off flag file

Set the `POWERDOWNFLAG` location for `upsmon`.

In `upsmon.conf`, add a `POWERDOWNFLAG` directive with a filename. `upsmon` will create this file when the UPS needs to be powered off during a power failure when low battery is reached.

We will test for the presence of this file in a later step.

```
POWERDOWNFLAG /etc/killpower
```

References: man pages: [upsmon\(8\)](#), [upsmon.conf\(5\)](#)

Securing upsmon.conf

The recommended setting is to have it owned by root:nut, then make it readable by the group and not world. This file contains passwords that could be used by an attacker to start a shutdown, so keep it secure.

```
chown root:nut upsmon.conf
chmod 0640 upsmon.conf
```

This step has been placed early in the process so you secure this file before adding sensitive data in the next step.

Create a MONITOR directive for upsmon

Edit upsmon.conf and create a MONITOR line with the UPS definition (<upsname>@<hostname>), username and password from the [NUT user creation](#) step, and the master or slave setting.

If it's the master (i.e., it's connected to this UPS directly):

```
MONITOR myupsname@mybox 1 monuser mypass master
```

If it's just monitoring this UPS over the network, and some other system is the master:

```
MONITOR myupsname@mybox 1 monuser mypass slave
```

The number "1" here is the power value. This should always be set to 1 unless you have a very special (read: expensive) system with redundant power supplies. In such cases, refer to the User Manual:

- [typical setups for big servers](#),
- [typical setups for data rooms](#).

References: [upsmon\(8\)](#), [upsmon.conf\(5\)](#)

Define a SHUTDOWNCMD for upsmon

Still in upsmon.conf, add a directive that tells upsmon how to shut down your system. This example seems to work on most systems:

```
SHUTDOWNCMD "/sbin/shutdown -h +0"
```

Notice the presence of "quotes" here to keep it together.

If your system has special needs, you may want to set this to a script which does local shutdown tasks before calling init.

Start upsmon

```
/usr/local/ups/sbin/upsmon
```

If it complains about something, then check your configuration.

Checking upsmon

Look for messages in the syslog to indicate success. It should look something like this:

```
May 29 01:11:27 mybox upsmon[102]: Startup successful
May 29 01:11:28 mybox upsd[100]: Client monuser@192.168.50.1
logged into UPS [myupsname]
```

Any errors seen here are probably due to an error in the config files of either upsmon or upsd. You should fix them before continuing.

Startup scripts

Note

This step is not need if you installed from packages.

Edit your startup scripts, and add a call to `upsmon`.

Make sure `upsmon` starts when your system comes up. Do it after `upsdrvctl` and `upsd`, or it will complain about not being able to contact the server.

You may delete the `POWERDOWNFLAG` in the startup scripts, but it is not necessary. `upsmon` will clear that file for you when it starts.

Note

Init script examples are provide in the `scripts` directory of the NUT source tree, and in the various [packages](#) that exist.

Shutdown scripts

Note

This step is not need if you installed from packages.

Edit your shutdown scripts, and add `upsdrvctl shutdown`.

You should configure your system to power down the UPS after the filesystems are remounted read-only. Have it look for the presence of the `POWERDOWNFLAG` (from [upsmon.conf\(5\)](#)), using this as an example:

```
if (test -f /etc/killpower)
then
    echo "Killing the power, bye!"
    /usr/local/ups/bin/upsdrvctl shutdown

    sleep 120

    # uh oh... the UPS power-off failed
    # you probably want to reboot here so you don't get stuck!
    # *** see also the section on power races in the FAQ! ***
fi
```

Warning



- Be careful that `upsdrvctl` command will probably power off your machine. Don't use it unless your system is ready to be halted by force. If you run RAID, read the [RAID warning](#) below!
 - Make sure the filesystem(s) containing `upsdrvctl`, `ups.conf` and your UPS driver(s) are mounted (possibly in read-only mode) when the system gets to this point. Otherwise it won't be able to figure out what to do.
-

Testing shutdowns

UPS equipment varies from manufacturer to manufacturer and even within model lines. You should test the [shutdown sequence](#) on your systems before leaving them unattended. A successful sequence is one where the OS halts before the battery runs out, and the system restarts when power returns.

The first step is to see how `upsdrvctl` will behave without actually turning off power. To do so, use the `-t` argument:

```
/usr/local/ups/bin/upsdrvctl -t shutdown
```

It will display the sequence without actually calling the drivers.

You can finally test a forced shutdown sequence (FSD) using:

```
/usr/local/ups/sbin/upsmon -c fsd
```

This will execute a full shutdown sequence, as presented in [Shutdown design](#), starting from the 3rd step.

If everything works correctly, the computer will be forcibly powered off, may remain off for a few seconds to a few minutes (depending on the driver and UPS type), then will power on again.

If your UPS just sits there and never resets the load, you are vulnerable to a power race and should add the "reboot after timeout" hack at the very least.

Also refer to the section on power races in the [FAQ](#).

6.3.3 Using suspend to disk

Support for suspend to RAM and suspend to disk has been available in the Linux kernel for a while now. For obvious reasons, suspending to RAM isn't particularly useful when the UPS battery is getting low, but suspend to disk may be an interesting concept.

This approach minimizes the amount of disruption which would be caused by an extended outage. The UPS goes on battery, then reaches low battery, and the system takes a snapshot of itself and halts. Then it is turned off and waits for the power to return.

Once the power is back, the system reboots, pulls the snapshot back in, and keeps going from there. If the user happened to be away when it happened, they may return and have no idea that their system actually shut down completely in the middle.

In order for this to work, you need to shutdown NUT (UPS driver, upsd server and upsmon client) in the suspend script and start them again in the resume script. Don't try to keep them running. The upsd server will latch the FSD state (so it won't be useable after resuming) and so will the upsmon client. Some drivers may work after resuming, but many don't and some UPS'es will require re-initialization, so it's best not to keep this running either.

After stopping driver, server and client you'll have to send the UPS the command to shutdown only if the POWERDOWNFLAG is present. Note that most likely you'll have to allow for a grace period after sending *upsdrvctl shutdown* since the system will still have to take a snapshot of itself after that. Not all drivers support this, so before going down this road, make sure that the one you're using does.

6.3.4 RAID warning

If you run any sort of RAID equipment, make sure your arrays are either halted (if possible) or switched to "read-only" mode. Otherwise you may suffer a long resync once the system comes back up.

The kernel may not ever run its final shutdown procedure, so you must take care of all array shutdowns in userspace before *upsdrvctl* runs.

If you use software RAID (md) on Linux, get *mdadm* and try using *mdadm --readonly* to put your arrays in a safe state. This has to happen after your shutdown scripts have remounted the filesystems.

On hardware RAID or other kernels, you have to do some detective work. It may be necessary to contact the vendor or the author of your driver to find out how to put the array in a state where a power loss won't leave it "dirty".

Our understanding is that most if not all RAID devices on Linux will be fine unless there are pending writes. Make sure your filesystems are remounted read-only and you should be covered.

6.4 Typical setups for enterprise networks and data rooms

The split nature of this UPS monitoring software allows a wide variety of power connections. This chapter will help you identify how things should be configured using some general descriptions.

There are two main elements:

1. There's a UPS attached to a communication (serial, USB or network) port on this system.
2. This system depends on a UPS for power.

You can play "mix and match" with those two to arrive at these descriptions for individual hosts:

- A: 1 but not 2
- B: 2 but not 1
- C: 1 and 2

A small to medium sized data room usually has one C and a bunch of Bs. This means that there's a system (type C) hooked to the UPS which depends on it for power. There are also some other systems in there (type B) which depend on that same UPS for power, but aren't directly connected to it.

Larger data rooms or those with multiple UPSes may have several "clusters" of the "single C, many Bs" depending on how it's all wired.

Finally, there's a special case. Type A systems are connected to a UPS's serial port, but don't depend on it for power. This usually happens when a UPS is physically close to a box and can reach the serial port, but the wiring is such that it doesn't actually feed it.

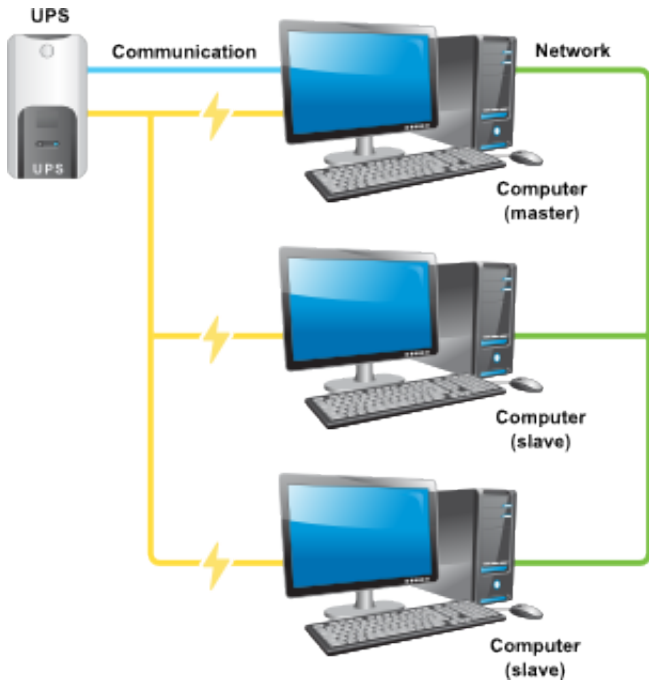
Once you identify a system's type, use this list to decide which of the programs need to be run for monitoring:

- A: driver and upsd
- B: upsmon (as slave)
- C: driver, upsd, and upsmon (as master)

To further complicate things, you can have a system that is hooked to multiple UPSes, but only depends on one for power. This particular situation makes it an "A" relative to one UPS, and a "C" relative to the other. The software can handle this - you just have to tell it what to do.

Note

NUT can also serve as a data proxy to increase the number of clients, or share the communication load between several upsd instances.



If you are running large server-class systems that have more than one power feed, see the next section for information on how to handle it properly.

6.5 Typical setups for big servers with UPS redundancy

By using multiple `MONITOR` statements in `upsmon.conf`, you can configure an environment where a large machine with redundant power monitors multiple separate UPSes.



6.5.1 Example configuration

For the examples in this section, we will use a server with four power supplies installed.

Two UPS, *Alpha* and *Beta*, are each driving two of the power supplies. This means that either *Alpha* or *Beta* can totally shut down and the server will be able to keep running.

The `upsmon.conf` configuration that reflect this is the following:

```
MONITOR ups-alpha@myhost 2 monuser mypass master
MONITOR ups-beta@myhost 2 monuser mypass master
MINSUPPLIES 2
```


With that configuration, `upsmon` will only shut down when both UPS reaches a critical (on battery + low battery) condition, since *Alpha* and *Beta* provide the same power value.

As an added bonus, this means you can move a running server from one UPS to another (for maintenance purpose for example) without bringing it down since the minimum power will be provided at all times.

The `MINSUPPLIES` line tells `upsmon` that we need at least 2 power supplies to be receiving power from a good UPS (on line or on battery, just not on battery and low battery).

Note

we could have used a *Power Value* of 1 for both UPS, and `MINSUPPLIES` set to 1 too. These values are purely arbitrary, so you are free to use your own rules. Here, we have linked these values to the number of power supplies that each UPS is feeding (2).

6.5.2 Multiple UPS shutdowns ordering

If you have multiple UPSes connected to your system, chances are that you need to shut them down in a specific order. The goal is to shut down everything but the one keeping `upsmon` alive at first, then you do that one last.

To set the order in which your UPSes receive the shutdown commands, define the `sdorder` value in your `ups.conf`.

```
[bigone]
    driver = usbhid-ups
    port = auto
    sdorder = 2
```

```
[littleguy]
    driver = mge-shut
    port = /dev/ttyS0
    sdorder = 1
```

```
[misc]
    driver = blazer_ser
    port = /dev/ttyS1
    sdorder = 0
```

The order runs from 0 to the highest number available. So, for this configuration, the order of shutdowns would be *misc*, *littleguy*, and then *bigone*.

Note

If you have a UPS that shouldn't be shutdown when running `upsdrvctl shutdown`, set the `sdorder` to `-1`.

6.5.3 Other redundancy configurations

There are a lot of ways to handle redundancy and they all come down to how many power supplies, power cords and independent UPS connections you have. A system with a 1:1 cord:supply ratio has more wires stuffed behind it, but it's much easier to move things around since any given UPS drives a smaller percentage of the overall power.

More information can be found in the [NUT user manual](#), and the various [user manual pages](#).

7 Advanced usage and scheduling notes

upsmon can call out to a helper script or program when the device changes state. The example `upsmon.conf` has a full list of which state changes are available - ONLINE, ONBATT, LOWBATT, and more.

There are two options, that will be presented in details:

- the simple approach: create your own helper, and manage all events and actions yourself,
- the advanced approach: use the NUT provided helper, called *upssched*.

7.1 The simple approach, using your own script

7.1.1 How it works relative to upsmon

Your command will be called with the full text of the message as one argument.

For the default values, refer to the sample `upsmon.conf` file.

The environment string NOTIFYTYPE will contain the type string of whatever caused this event to happen - ONLINE, ONBATT, LOWBATT, ...

Making this some sort of shell script might be a good idea, but the helper can be in any programming or scripting language.

Note

Remember that your helper must be **executable**. If you are using a script, make sure the execution flags are set.

For more information, refer to [upsmon\(8\)](#) and [upsmon.conf\(5\)](#) manual pages.

7.1.2 Setting up everything

- Set EXEC flags on various things in [upsmon.conf\(5\)](#):

```
NOTIFYFLAG ONBATT EXEC
NOTIFYFLAG ONLINE EXEC
```

If you want other things like WALL or SYSLOG to happen, just add them:

```
NOTIFYFLAG ONBATT EXEC+WALL+SYSLOG
```

You get the idea.

- Tell upsmon where your script is

```
NOTIFYCMD /path/to/my/script
```

- Make a simple script like this at that location:

```
#!/bin/bash
echo "$*" | sendmail -F"ups@mybox" bofh@pager.example.com
```

- Restart upsmon, pull the plug, and see what happens.

That approach is bare-bones, but you should get the text content of the alert in the body of the message, since upsmon passes the alert text (from NOTIFYMSG) as an argument.

7.1.3 Using more advanced features

Your helper script will be run with a few environment variables set.

- **UPSNAME:** the name of the system that generated the change.
This will be one of your identifiers from the **MONITOR** lines in **upsmon.conf**.
- **NOTIFYTYPE:** this will be **ONLINE**, **ONBATT**, or whatever event took place which made **upsmon** call your script.

You can use these to do different things based on which system has changed state. You could have it only send pages for an important system while totally ignoring a known trouble spot, for example.

7.1.4 Suppressing notify storms

upsmon will call your script every time an event happens that has the **EXEC** flag set. This means a quick power failure that lasts mere seconds might generate a notification storm. To suppress this sort of annoyance, use **upssched** as your **NOTIFYCMD** program, and configure it to call your command after a timer has elapsed.

7.2 The advanced approach, using upssched

upssched is a helper for **upsmon** that will invoke commands for you at some interval relative to a UPS event. It can be used to send pages, mail out notices about things, or even shut down the box early.

There will be examples scattered throughout. Change them to suit your pathnames, UPS locations, and so forth.

7.2.1 How upssched works relative to upsmon

When an event occurs, **upsmon** will call whatever you specify as a **NOTIFYCMD** in your **upsmon.conf**, if you also enable the **EXEC** in your **NOTIFYFLAGS**. In this case, we want **upsmon** to call **upssched** as the notifier, since it will be doing all the work for us. So, in the **upsmon.conf**:

```
NOTIFYCMD /usr/local/ups/bin/upssched
```

Then we want **upsmon** to actually *use* it for the notify events, so again in the **upsmon.conf** we set the flags:

```
NOTIFYFLAG ONLINE SYSLOG+EXEC  
NOTIFYFLAG ONBATT SYSLOG+WALL+EXEC  
NOTIFYFLAG LOWBATT SYSLOG+WALL+EXEC  
... and so on.
```

For the purposes of this document I will only use those three, but you can set the flags for any of the valid notify types.

7.2.2 Setting up your upssched.conf

Once **upsmon** has been configured with the **NOTIFYCMD** and **EXEC** flags, you're ready to deal with the **upssched.conf** details. In this file, you specify just what will happen when a given event occurs on a particular UPS.

First you need to define the name of the script or program that will handle timers that trigger. This is your **CMDSCRIPT**, and needs to be above any **AT** defines. There's an example provided with the program, so we'll use that here:

```
CMDSCRIPT /usr/local/ups/bin/upssched-cmd
```

Then you have to define the variables **PIPEFN** and **LOCKFN**; the former sets the file name of the FIFO that will pass communications between processes to start and stop timers, while the latter sets the file name for a temporary file created by **upssched** in order to avoid a race condition under some circumstances. Please see the relevant comments in **upssched.conf** for additional information and advice about these variables.

Now you can tell your **CMDSCRIPT** what to do when it is called by **upsmon**.

The big picture

The design in a nutshell is:

```
upsmon ---> calls upssched ---> calls your CMDSCRIPT
```

Ultimately, the CMDSCRIPT does the actual useful work, whether that's initiating an early shutdown with *upsmon -c fsd*, sending a page by calling *sendmail*, or opening a subspace channel to V'ger.

Establishing timers

Let's say that you want to receive a page when any UPS has been running on battery for 30 seconds. Create a handler that starts a 30 second timer for an ONBATT condition.

```
AT ONBATT * START-TIMER onbattwarn 30
```

This means "when any UPS (the *) goes on battery, start a timer called *onbattwarn* that will trigger in 30 seconds". We'll come back to the *onbattwarn* part in a moment. Right now we need to make sure that we don't trigger that timer if the UPS happens to come back before the time is up. In essence, if it goes back on line, we need to cancel it. So, let's tell *upssched* that.

```
AT ONLINE * CANCEL-TIMER onbattwarn
```

Executing commands immediately

As an example, consider the scenario where a UPS goes onto battery power. However, the users are not informed until 60 seconds later - using a timer as described above. Whilst this may let the **logged in** users know that the UPS is on battery power, it does not inform any users subsequently logging in. To enable this we could, at the same time, create a file which is read and displayed to any user trying to login whilst the UPS is on battery power. If the UPS comes back onto utility power within 60 seconds, then we can cancel the timer and remove the file, as described above. However, if the UPS comes back onto utility power say 5 minutes later then we do not want to use any timers but we still want to remove the file. To do this we could use:

```
AT ONLINE * EXECUTE ups-back-on-power
```

This means that when *upsmon* detects that the UPS is back on utility power it will signal *upssched*. *Upssched* will see the above command and simply pass *ups-back-on-power* as an argument directly to CMDSCRIPT. This occurs immediately, there are no timers involved.

7.2.3 Writing the command script handler

OK, now that *upssched* knows how the timers are supposed to work, let's give it something to do when one actually triggers. The name of the example timer is *onbattwarn*, so that's the argument that will be passed into your CMDSCRIPT when it triggers. This means we need to do some shell script writing to deal with that input.

```
#!/bin/sh

case $1 in
    onbattwarn)
        echo "The UPS has been on battery for awhile" \
            | mail -s"UPS monitor" bofh@pager.example.com
        ;;
    ups-back-on-power)
        /bin/rm -f /some/path/ups-on-battery
        ;;
    *)
        logger -t upssched-cmd "Unrecognized command: $1"
        ;;
esac
```

This is a very simple script example, but it shows how you can test for the presence of a given trigger. With multiple ATs creating various timer names, you will need to test for each possibility and handle it according to your desires.

Note

You can invoke just about anything from inside the CMDSCRIPT. It doesn't need to be a shell script, either - that's just an example. If you want to write a program that will parse argv[1] and deal with the possibilities, that will work too.

7.2.4 Early Shutdowns

One thing that gets requested a lot is early shutdowns in upsmon. With upssched, you can now have this functionality. Just set a timer for some length of time at ONBATT which will invoke a shutdown command if it elapses. Just be sure to cancel this timer if you go back ONLINE before then.

The best way to do this is to use the upsmon callback feature. You can make upsmon set the "forced shutdown" (FSD) flag on the upsd so your slave systems shut down early too. Just do something like this in your CMDSCRIPT:

```
/usr/local/ups/sbin/upsmon -c fsd
```

It's not a good idea to call your system's shutdown routine directly from the CMDSCRIPT, since there's no synchronization with the slave systems hooked to the same UPS. FSD is the master's way of saying "we're shutting down **now** like it or not, so you'd better get ready".

7.2.5 Background

This program was written primarily to fulfill the requests of users for the early shutdown scenario. The "outboard" design of the program (relative to upsmon) was intended to reduce the load on the average system. Most people don't have the requirement of shutting down after n seconds on battery, since the usual OB+LB testing is sufficient.

This program was created separately so those people don't have to spend CPU time and RAM on something that will never be used in their environments.

The design of the timer handler is also geared towards minimizing impact. It will come and go from the process list as necessary. When a new timer is started, a process will be forked to actually watch the clock and eventually start the CMDSCRIPT. When a timer triggers, it is removed from the queue. Cancelling a timer will also remove it from the queue. When no timers are present in the queue, the background process exits.

This means that you will only see upssched running when one of two things is happening:

1. There's a timer of some sort currently running
2. upsmon just called it, and you managed to catch the brief instance

The final optimization handles the possibility of trying to cancel a timer when there's none running. If there's no process already running, there are no timers to cancel, and furthermore there is no need to start a clock-watcher. As a result, it skips that step and exits sooner.

8 NUT outlets management and PDU notes

NUT supports advanced outlets management for any kind of device that proposes it. This chapter introduces how to manage outlets in general, and how to take advantage of the provided features.

8.1 Introduction

Outlets are the core of Power Distribution Units. They allow you to turn on, turn off or cycle the load on each outlet.

Some UPS models also provide manageable outlets (Eaton, MGE, Powerware, Tripplite, ...) that help save power in various ways, and manage loads more intelligently.

Finally, some devices can be managed in a PDU-like way. Consider blade systems: the blade chassis can be controlled remotely to turn on, turn off or cycle the power on individual blade servers.

NUT allows you to control all these devices!

8.2 NUT outlet data collection

NUT provides a complete and uniform integration of outlets related data, through the *outlet* collection.

First, there is a special outlet, called *main outlet*. You can access it through *outlet.{id, desc, ...}* without any index.

Any modification through the *main outlet* will affect **all** outlets. For example, calling the command *outlet.load.cycle* will cycle all outlets.

Next, outlets index starts from **1**. Index *0* is implicitly reserved to the *main outlet*. So the first outlet is *outlet.1.**.

For a complete list of outlet data and commands, refer to the [NUT command and variable naming scheme](#).

An example upsc output (data/epdu-managed.dev) is available in the source archive.

Note

The variables supported depend on the exact device type.

8.3 Outlets on PDU

Smart Power Distribution Units provide at least various meters, related to current, power and voltage.

Some more advanced devices also provide control through the *load.off*, *load.on* and *load.cycle* commands.

8.4 Outlets on UPS

Some advanced Uninterruptible Power Supplies provide smart outlet management.

This allows to program a limited backup time to non-critical loads in order to keep the maximum of the battery reserve for critical equipment.

This also allows the same remote electrical management of devices provided by PDUs, which can be very interesting in Data Centers.

For example, on small setup, you can plug printers, USB devices, hubs, (...) into managed outlets. Depending on your UPS's capabilities, you will be able to turn off those loads:

- after some minutes of back-up time using *outlet.n.delay.start*,
- when reaching a percentage battery charge using *outlet.n.autoswitch.charge.low*.

This will ensure a maximum runtime for the computer.

On bigger systems, with bigger UPSs, this is the same thing with servers instead of small devices.

Note

If you need the scheduling function and your device doesn't support it, you can still use [NUT scheduling features](#).

**Warning**

don't plug the UPS's communication cable (USB or network) on a managed outlet. Otherwise, all computers will be stopped as soon as the communication is lost.

8.5 Other type of devices

As mentioned in the introduction, some other devices can be considered and managed like PDUs. This is the case in most blade systems, where the blade chassis offers power management services.

This way, you can control remotely each blade server as if it were a PDU outlet.

This category of devices is generally called Remote Power Controls - RPC in NUT.

9 Notes on securing NUT

The NUT Team is very interested in providing the highest security level to its users.

Many internal and external mechanisms exist to secure NUT. And several steps are needed to ensure that your NUT setup meets your security requirements.

This chapter will present you these mechanisms, by increasing order of security level. This means that the more security you need, the more mechanisms you will have to apply.

Note

you may want to have a look at NUT Quality Assurance, since some topics are related to NUT security and reliability.

9.1 How to verify the NUT source code signature

In order to verify the NUT source code signature for releases, perform the following steps:

- Retrieve the **NUT source code** (`nut-X.Y.Z.tar.gz`) and the matching signature (`nut-X.Y.Z.tar.gz.sig`)
- Retrieve the **NUT maintainer's signature**:

```
$ gpg --fetch-keys http://www.networkupstools.org/source/nut-key.gpg
```

- Launch the GPG checking using the following command:

```
$ gpg --verify nut-X.Y.Z.tar.gz.sig
```

- You should see a message mentioning a "Good signature", like:

```
gpg: Signature made Thu Jul  5 16:15:05 2007 CEST using DSA key ID 204DDF1B
gpg: Good signature from "Arnaud Quette ..."
...
```

9.2 System level privileges and ownership

All configuration files should be protected so that the world can't read them. Use the following commands to accomplish this:

```
chown root:nut /etc/nut/*
chmod 640 /etc/nut/*
```

Finally, the **state path** directory, which holds the communication between the driver(s) and upsd, should also be secured.

```
chown root:nut /var/state/ups
chmod 0770 /var/state/ups
```

9.3 NUT level user privileges

Administrative commands such as setting variables and the instant commands are powerful, and access to them needs to be restricted.

NUT provides an internal mechanism to do so, through [upsd.users\(5\)](#).

This file defines who may access instant commands and settings, and what is available.

During the initial [NUT user creation](#), we have created a monitoring user for upsmon.

You can also create an *administrator* user with full power using:

```
[administrator]
    password = mypass
    actions = set
    instcmds = all
```

For more information on how to restrict actions and instant commands, refer to [upsd.users\(5\)](#) manual page.

Note

NUT administrative user definitions should be used in conjunction with [TCP Wrappers](#).

9.4 Network access control

If you are not using NUT on a standalone setup, you will need to enforce network access to upsd.

There are various ways to do so.

9.4.1 NUT LISTEN directive

[upsd.conf\(5\)](#).

```
LISTEN interface port
```

Bind a listening port to the interface specified by its Internet address. This may be useful on hosts with multiple interfaces. You should not rely exclusively on this for security, as it can be subverted on many systems.

Listen on TCP port `port` instead of the default value which was compiled into the code. This overrides any value you may have set with `configure --with-port`. If you don't change it with `configure` or this value, `upsd` will listen on port 3493 for this interface.

Multiple LISTEN addresses may be specified. The default is to bind to 127.0.0.1 if no LISTEN addresses are specified (and `::1` if IPv6 support is compiled in).

```
LISTEN 127.0.0.1
LISTEN 192.168.50.1
LISTEN ::1
LISTEN 2001:0db8:1234:08d3:1319:8a2e:0370:7344
```

This parameter will only be read at startup. You'll need to restart (rather than reload) `upsd` to apply any changes made here.

9.4.2 Firewall

NUT has its own official IANA port: 3493/tcp.

The `upsmon` process on slave systems, as well as any other NUT client (such as `upsc`, `upscmd`, `upsrw`, NUT-Monitor, ...) connects to the `upsd` process on the master system via this TCP port. The `upsd` process does not connect out.

You should use this to restrict network access.

Uncomplicated Firewall (UFW) support

NUT can tightly integrate with **Uncomplicated Firewall** using the provided profile (`nut.ufw.profile`).

You must first install the profile on your system:

```
$ cp nut.ufw.profile /etc/ufw/applications.d/
```

To enable outside access to your local `upsd`, use:

```
$ ufw allow NUT
```

To restrict access to the network `192.168.X.Y`, use:

```
$ ufw allow from 192.168.0.0/16 to any app NUT
```

You can also use graphical frontends, such as `gui-ufw` (`gufw`), `ufw-kde` or `ufw-frontends`.

For more information, refer to:

- [UFW homepage](#),
- [UFW project page](#),
- [UFW wiki](#),
- UFW manual page, section APPLICATION INTEGRATION

9.4.3 TCP Wrappers

If the server is build with `tcp-wrappers` support enabled, it will check if the NUT username is allowed to connect from the client address through the `/etc/hosts.allow` and `/etc/hosts.deny` files.

Note

this will only be done for commands that require the user to be logged into the server.

`hosts.allow`:

```
ups : admin@127.0.0.1/32
ups : monslave@127.0.0.1/32 monslave@192.168.1.0/24
```

`hosts.deny`:

```
upsd : ALL
```

Further details are described in `hosts_access(5)`.

9.5 Configuring SSL

SSL is available as a build option (`--with-ssl`).

It encrypts sessions between `upsd` and clients, and can also be used to authenticate servers.

This means that stealing port 3493 from `upsd` will no longer net you interesting passwords.

Several things must happen before this will work, however. This chapter will present these steps.

9.5.1 Install OpenSSL

Install [OpenSSL](#) as usual, either from source or binary packages.

9.5.2 Recompile and install NUT

Recompile NUT from source, starting with `configure --with-ssl`.

Then install everything as usual.

9.5.3 Create a certificate and key for upsd

`openssl` (the program) should be in your `PATH`, unless you installed it from source yourself, in which case it may be in `/usr/local/ssl/bin`.

Use the following command to create the certificate:

```
openssl req -new -x509 -nodes -out upsd.crt -keyout upsd.key
```

You can also put a `-days nnn` in there to set the expiration. If you skip this, it may default to 30 days. This is probably not what you want.

It will ask several questions. What you put in there doesn't matter a whole lot, since nobody is going to see it for now. Future versions of the clients may present data from it, so you might use this opportunity to identify each server somehow.

9.5.4 Figure out the hash for the key

Use the following command to determine the hash of the certificate:

```
openssl x509 -hash -noout -in upsd.crt
```

You'll get back a single line with 8 hex characters. This is the hash of the certificate, which is used for naming the client-side certificate. For the purposes of this example the hash is **0123abcd**.

9.5.5 Install the client-side certificate

Use the following commands to install the client-side certificate:

```
mkdir <certpath>
chmod 0755 <certpath>
cp upsd.crt <certpath>/<hash>.0
```

Example:

```
mkdir /usr/local/ups/etc/certs
chmod 0755 /usr/local/ups/etc/certs
cp upsd.crt /usr/local/ups/etc/certs/0123abcd.0
```

If you already have a file with that name in there, increment the 0 until you get a unique filename that works.

If you have multiple client systems (like `upsmon` slaves), be sure to install this file on them as well.

We recommend making a directory under your existing `confpath` to keep everything in the same place. Remember the path you created, since you will need to put it in `upsmon.conf` later.

It must not be writable by unprivileged users, since someone could insert a new client certificate and fool `upsmon` into trusting a fake `upsd`.

9.5.6 Create the combined file for upsd

To do so, use the below commands:

```
cat upsd.crt upsd.key > upsd.pem
chown root:nut upsd.pem
chmod 0640 upsd.pem
```

This file must be kept secure, since anyone possessing it could pretend to be upsd and harvest authentication data if they get a hold of port 3493.

Having it be owned by *root* and readable by group *nut* allows upsd to read the file without being able to change the contents. This is done to minimize the impact if someone should break into upsd.

9.5.7 Note on certification authorities (CAs) and signed keys

There are probably other ways to handle this, involving keys which have been signed by a CA you recognize. Contact your local SSL guru.

9.5.8 Install the server-side certificate

Install the certificate with the following command:

```
mv upsd.pem <upsd certfile path>
```

Example:

```
mv upsd.pem /usr/local/ups/etc/upsd.pem
```

After that, edit your *upsd.conf* and tell it where to find it:

```
CERTFILE /usr/local/ups/etc/upsd.pem
```

9.5.9 Clean up the temporary files

```
rm -f upsd.crt upsd.key
```

9.5.10 Restart upsd

It should come back up without any complaints. If it says something about keys or certificates, then you probably missed a step. If you run upsd as a separate user id (like *nutdrv*), make sure that user can read the *upsd.pem* file.

9.5.11 Point upsmon at the certificates

Edit your *upsmon.conf*, and tell it where the *CERTPATH* is:

```
CERTPATH <path>
```

Example:

```
CERTPATH /usr/local/ups/etc/certs
```

9.5.12 Recommended: make upsmon verify all connections with certificates

Put this in upsmon.conf:

```
CERTVERIFY 1
```

Without this, there is no guarantee that the upsd is the right host. Enabling this greatly reduces the risk of man in the middle attacks.

This effectively forces the use of SSL, so don't use this unless all of your upsd hosts are ready for SSL and have their certificates in order.

9.5.13 Recommended: force upsmon to use SSL

Again in upsmon.conf:

```
FORCESSL 1
```

If you don't use *CERTVERIFY 1*, then this will at least make sure that nobody can sniff your sessions without a large effort. Setting this will make upsmon drop connections if the remote upsd doesn't support SSL, so don't use it unless all of them have it running.

9.5.14 Restart upsmon

You should see something like this in the syslog from upsd:

```
foo upsd[1234]: Client mon@localhost logged in to UPS [myups] (SSL)
```

If upsd or upsmon give any error messages, or the (SSL) is missing, then something isn't right.

If in doubt about upsmon, start it with `-D` so it will stay in the foreground and print debug messages. It should print something like this every couple of seconds:

```
polling ups: myups@localhost [SSL]
```

Obviously, if the *[SSL]* isn't there, something's broken.

9.5.15 Recommended: sniff the connection to see it for yourself

Using tcpdump, Wireshark (Ethereal), or another network sniffer tool, tell it to monitor port 3493/tcp and see what happens. You should only see *STARTTLS* go out, *OK STARTTLS* come back, and the rest will be certificate data and then seemingly random characters.

If you see any plaintext besides that (USERNAME, PASSWORD, etc.) then something is not working.

9.5.16 Potential problems

If you specify a certificate expiration date, you will eventually see things like this in your syslog:

```
Oct 29 07:27:25 rktoy upsmon[3789]: Poll UPS [for750@rktoy] failed -  
SSL error: error:14090086:SSL routines:SSL3_GET_SERVER_CERTIFICATE: certificate verify fai
```

You can verify that it is expired by using openssl to display the date:

```
openssl x509 -enddate -noout -in <certfile>
```

It'll display a date like this:

```
notAfter=Oct 28 20:05:32 2002 GMT
```

If that's after the current date, you need to generate another cert/key pair using the procedure above.

9.5.17 Conclusion

SSL support should be considered stable but purposely underdocumented since various bits of the implementation or configuration may change in the future. In other words, if you use this and it stops working after an upgrade, come back to this file to find out what changed.

This is why the other documentation doesn't mention any of these directives yet. SSL support is a treat for those of you that RTFM.

There are also potential licensing issues for people who ship binary packages since NUT is GPL and OpenSSL is not compatible with it. You can still build and use it yourself, but you can't distribute the results of it. Or maybe you can. It depends on what you consider "essential system software", and some other legal junk that we're not going to touch.

Other packages have solved this by explicitly stating that an exception has been granted. That is (purposely) impossible here, since NUT is the combined effort of many people, and all of them would have to agree to a license change. This is actually a feature, since it means nobody can unilaterally run off with the source - not even the NUT team.

Note that the replacement of OpenSSL by Mozilla Network Security Services (NSS) is scheduled in the future, to avoid the above licensing issues.

9.6 chrooting and other forms of paranoia

It has been possible to run the drivers and upsd in a chrooted jail for some time, but it involved a number of evil hacks. From the 1.3 series, a much saner chroot behavior exists, using BIND 9 as an inspiration.

The old way involved creating an entire tree, complete with libraries, a shell (!), and many auxiliary files. This was hard to maintain and could have become an interesting playground for an intruder. The new way is minimal, and leaves little in the way of usable materials within the jail.

This document assumes that you already have created at least one user account for the software to use. If you're still letting it fall back on "nobody", stop right here and go figure that out first. It also assumes that you have everything else configured and running happily all by itself.

9.6.1 Generalities

Essentially, you need to create your configuration directory and state path in their own little world, plus a special device or two.

For the purposes of this example, the chroot jail is /chroot/nut. The programs have been built with the default prefix, so they are using /usr/local/ups. First, create the confpath and bring over a few files.

```
mkdir -p /chroot/nut/usr/local/ups/etc
cd /chroot/nut/usr/local/ups/etc
cp -a /usr/local/ups/etc/upsd.users .
cp -a /usr/local/ups/etc/upsd.conf .
cp -a /usr/local/ups/etc/ups.conf .
```

We're using `cp -a` to maintain the permissions on those files.

Now bring over your state path, maintaining the same permissions as before.

```
mkdir -p /chroot/nut/var/state
cp -a /var/state/ups /chroot/nut/var/state
```

Next we must put /etc/localtime inside the jail, or you may get very strange readings in your syslog. You'll know you have this problem if upsd shows up as UTC in the syslog while the rest of the system doesn't.

```
mkdir -p /chroot/nut/etc
cp /etc/localtime /chroot/nut/etc
```

Note that this is not "cp -a", since we want to copy the **content**, not the symlink that it may be on some systems.

Finally, create a tiny bit of /dev so the programs can enter the background properly - they redirect fds into the bit bucket to make sure nothing else grabs 0-2.

```
mkdir -p /chroot/nut/dev
cp -a /dev/null /chroot/nut/dev
```

Try to start your driver(s) and make sure everything fires up as before.

```
upsdrvctl -r /chroot/nut -u nutdev start
```

Once your drivers are running properly, try starting upsd.

```
upsd -r /chroot/nut -u nutdrv
```

Check your syslog. If nothing is complaining, try running clients like upsc and upsmon. If they seem happy, then you're done.

9.6.2 symlinks

After you do this, you will have two copies of many things, like the confpath and the state path. I recommend deleting the *real* /var/state/ups, replacing it with a symlink to /chroot/nut/var/state/ups. That will let other programs reference the .pid files without a lot of hassle.

You can also do this with your confpath and point /usr/local/ups/etc at /chroot/nut/usr/local/ups/etc unless you're worried about something hurting the files inside that directory. In that case, you should maintain a *master* copy and push it into the chroot path after making changes.

upsdrvctl itself does not chroot, so the ups.conf still needs to be in the usual confpath.

9.6.3 upsmon

This has not yet been applied to upsmon, since it can be quite complicated when there are notifiers that need to be run. One possibility would be for upsmon to have three instances:

- privileged root parent that listens for a shutdown command
- unprivileged child that listens for notify events
- unprivileged chrooted child that does network I/O

This one is messy, and may not happen for some time, if ever.

9.6.4 Config files

You may now set chroot= and user= in the global section of ups.conf.

upsd chroots before opening any config files, so there is no way to add support for that in upsd.conf at the present time.

A Glossary

This section document the various acronyms used throughout the present documentation.

NUT

Network UPS Tools.

PDU

Power Distribution Unit.

SCD

Solar Controller Device.

UPS

Uninterruptible Power Supply.

B Acknowledgements / Contributions

This project is the result of years of work by many individuals and companies.

Many people have written or tweaked the software; the drivers, clients, server and documentation have all received valuable attention from numerous sources.

Many of them are listed within the source code, AUTHORS file, release notes, and mailing list archives, but some prefer to be anonymous. This software would not be possible without their help.

B.1 The NUT Team

B.1.1 Active members

- Arnaud Quette: project leader (since 2005), Debian packager and jack of all trades
- Charles Lepple: senior lieutenant
- Kjell Claesson: senior developer
- Alexander Gordeev: junior developer
- David Goncalves: Python developer
- Eric S. Raymond: Documentation consultant
- Oden Eriksson: Mandriva packager
- Stanislav Brabec: Novell / Suse packager
- Michal Hlavinka: Redhat packager

B.1.2 Retired members

- Russell Kroll: Founder, and project leader from 1996 to 2005
 - Arjen de Korte: senior lieutenant
 - Peter Selinger: senior lieutenant
 - Carlos Rodrigues: author of the "megatec" drivers, removing the numerous drivers for Megatec / Q1 protocol. These drivers have now been replaced by blazer_ser and blazer_usb
-

- Niels Baggesen: ported and heavily extended upscore2 to NUT 2.0 driver model
- Niklas Edmundsson: has worked on 3-phase support, and upscore2 updates
- Martin Loyer: has worked a bit on mge-utalk
- Jonathan Dion: MGE internship (summer 2006), who has worked on configuration
- Doug Reynolds: has worked on CyberPower support (powerpanel driver)
- Jon Gough: has worked on porting the megatec driver to USB (megatec_usb)
- Dominique Lallement: Consultant (chairman of the USB/HID PDC Forum)
- Julius Malkiewicz: junior developer
- Tomas Smetana: former Redhat packager (2007-2008)

B.2 Our main supporter: Eaton

Through the acquisition of MGE Office Protection Systems (a carve out of the MGE UPS SYSTEMS small systems, up to 10 KVA), Eaton has been supporting NUT, and more generally the Free/Libre Opensource Software Community since around 2002.

This support includes the following actions:

- providing extensive technical documents (Eaton protocols library),
- providing units to developers of NUT and related projects,
- hosting the networkupstools.org webserver,
- providing artwork,
- promoting NUT in general.

For more detailed information on Eaton's Opensource commitment, please refer to [Eaton Opensource website](#).

B.3 Supporting manufacturers

B.3.1 UPS manufacturers

- [Eaton](#), our main supporter, as presented in the [above section](#).
- [Gamatronic](#), through Nadav Moskovitch, has revived the *sec* driver (as gamatronic), and expanded a bit genericups for its UPSs with alarm interface.
- [Microdowell](#), through Elio Corbolante, has created the *microdowell* driver to support the Enterprise Nxx/Bxx serial devices. They also proposes NUT as an alternative to its software for [Linux / Unix](#).
- [Powercom](#), through Alexey Morozov, has provided [extensive information](#) on its USB/HID devices, along with development units.

B.3.2 Appliances manufacturers

- [OpenGear](#) has worked with NUT's leader to successfully develop and integrate PDU support. Opengear, through Scott Burns, and Robert Waldie, has submitted several patches.

B.4 Other contributors

- Pavel Korensky's original apcd provided the inspiration for pursuing APC's smart protocol in 1996
- Eric Lawson provided scans of the OneAC protocol
- John Marley used OCR software to transform the SEC protocol scans into a HTML document
- Chris McKinnon scanned and converted the Fortress protocol documentation
- Tank provided documentation on the Belkin/Delta protocol
- Potrans provided a Fenton PowerPal 600 (P series) for development of the safenet driver.

B.5 Older entries (before 2005)

- MGE UPS SYSTEMS was the previous NUT sponsor. They provided protocols information, many units for development of NUT-related projects. Several drivers such as mge-utalk, mge-shut, snmp-ups, hidups, and usbhid-ups are the result of this collaboration, in addition to the WMNut, MGE HID Parser the libhid projects, ... through Arnaud. All the MGE supporters have now gone with Eaton (through MGE Office Protection Systems), which is the new NUT sponsor.
- Fenton Technologies contributed a PowerPal 660 to the project. Their open stance and quick responses to technical inquiries were appreciated for making the development of the fentonups driver possible. Fenton has since been acquired by [Metapo](#).
- Bo Kersey of [VirCIO](#) provided a Best Power Fortress 750 to facilitate the bestups driver.
- Invensys Energy Systems provided the SOLA/Best "Phoenixtec" protocol document. SOLA has since been acquired by Eaton.
- PowerKinetics technical support provided documentation on their MiniCOL protocol, which is archived in the NUT protocol library. PowerKinetics was acquired by the [JST Group](#) in June 2003.
- [Cyber Power Systems](#) contributed a 700AVR model for testing and development of the cyberpower driver.
- [Liebert Corporation](#) supplied serial test boxes and a UPStation GXT2 with the Web/SNMP card for development of the liebert driver and expansion of the existing snmp-ups driver. Liebert has since been acquired by [Emerson](#).

Note

If a company or individual isn't listed here, then we probably don't have enough information about the situation. Developers are requested to report vendor contributions to the NUT team so this list may reflect their help. If we have left you out, send us some mail.

C NUT command and variable naming scheme

This is a dump of the standard variables and command names used in NUT. Don't use a name with any of the dstate functions unless it exists here.

If you need a new variable or command name, contact the Development Team first.

Put another way: if you make up a name that's not in this list and it gets into the tree, and then we come up with a better name later, clients that use the undocumented variable will break when it is changed.

Note

"opaque" means programs should not attempt to parse the value for that variable as it may vary greatly from one UPS to the next. These strings are best handled directly by the user.

C.1 Variables

C.1.1 device: General unit information

Note

some of these data will be redundant with ups.* information during a transition period. The ups.* data will then be removed.

Name	Description	Example value
device.model	Device model	BladeUPS
device.mfr	Device manufacturer	Eaton
device.serial	Device serial number (opaque string)	WS9643050926
device.type	Device type (ups, pdu, scd, psu)	ups
device.description	Device description (opaque string)	Some ups
device.contact	Device administrator name (opaque string)	John Doe
device.location	Device physical location (opaque string)	1rst floor
device.part	Device part number (opaque string)	123456789
device.macaddr	Physical network address of the device	68:b5:99:f5:89:27

C.1.2 ups: General unit information

Name	Description	Example value
ups.status	UPS status	OL
ups.alarm	UPS alarms	OVERHEAT
ups.time	Internal UPS clock time (opaque string)	12:34
ups.date	Internal UPS clock date (opaque string)	01-02-03
ups.model	UPS model	SMART-UPS 700
ups.mfr	UPS manufacturer	APC
ups.mfr.date	UPS manufacturing date (opaque string)	10/17/96
ups.serial	UPS serial number (opaque string)	WS9643050926
ups.vendorid	Vendor ID for USB devices	0463
ups.productid	Product ID for USB devices	0001
ups.firmware	UPS firmware (opaque string)	50.9.D
ups.firmware.aux	Auxiliary device firmware	4Kx
ups.temperature	UPS temperature (degrees C)	042.7
ups.load	Load on UPS (percent)	023.4
ups.load.high	Load when UPS switches to overload condition ("OVER") (percent)	100
ups.id	UPS system identifier (opaque string)	Sierra
ups.delay.start	Interval to wait before restarting the load (seconds)	0
ups.delay.reboot	Interval to wait before rebooting the UPS (seconds)	60
ups.delay.shutdown	Interval to wait after shutdown with delay command (seconds)	20
ups.timer.start	Time before the load will be started (seconds)	30
ups.timer.reboot	Time before the load will be rebooted (seconds)	10

Name	Description	Example value
ups.timer.shutdown	Time before the load will be shutdown (seconds)	20
ups.test.interval	Interval between self tests (seconds)	1209600 (two weeks)
ups.test.result	Results of last self test (opaque string)	Bad battery pack
ups.display.language	Language to use on front panel (* opaque)	E
ups.contacts	UPS external contact sensors (* opaque)	F0
ups.efficiency	Efficiency of the UPS (ratio of the output current on the input current) (percent)	95
ups.power	Current value of apparent power (Volt-Amps)	500
ups.power.nominal	Nominal value of apparent power (Volt-Amps)	500
ups.realpower	Current value of real power (Watts)	300
ups.realpower.nominal	Nominal value of real power (Watts)	300
ups.beeper.status	UPS beeper status (enabled, disabled or muted)	enabled
ups.type	UPS type (* opaque)	offline
ups.watchdog.status	UPS watchdog status (enabled or disabled)	disabled
ups.start.auto	UPS starts when mains is (re)applied	yes
ups.start.battery	Allow to start UPS from battery	yes
ups.start.reboot	UPS coldstarts from battery (enabled or disabled)	yes

Note

When present, the value of **ups.start.auto** has an impact on shutdown.* commands. For the sake of coherence, shutdown commands will set **ups.start.auto** to the right value before issuing the command. Ie, shutdown.stayoff will first set **ups.start.auto** to **no**, while shutdown.return will set it to **yes**.

C.1.3 input: Incoming line/power information

Name	Description	Example value
input.voltage	Input voltage	121.5
input.voltage.maximum	Maximum incoming voltage seen	130
input.voltage.minimum	Minimum incoming voltage seen	100
input.voltage.nominal	Nominal input voltage	120
input.voltage.extended	Extended input voltage range	no
input.transfer.reason	Reason for last transfer to battery (* opaque)	T
input.transfer.low	Low voltage transfer point	91
input.transfer.high	High voltage transfer point	132
input.transfer.low.min	smallest settable low voltage transfer point	85
input.transfer.low.max	greatest settable low voltage transfer point	95
input.transfer.high.min	smallest settable high voltage transfer point	131
input.transfer.high.max	greatest settable high voltage transfer point	136
input.sensitivity	Input power sensitivity	H (high)

Name	Description	Example value
input.quality	Input power quality (* opaque)	FF
input.current	Input current (A)	4.25
input.current.nominal	Nominal input current (A)	5.0
input.frequency	Input line frequency (Hz)	60.00
input.frequency.nominal	Nominal input line frequency (Hz)	60
input.frequency.low	Input line frequency low (Hz)	47
input.frequency.high	Input line frequency high (Hz)	63
input.frequency.extended	Extended input frequency range	no
input.transfer.boost.low	Low voltage boosting transfer point	190
input.transfer.boost.high	High voltage boosting transfer point	210
input.transfer.trim.low	Low voltage trimming transfer point	230
input.transfer.trim.high	High voltage trimming transfer point	240

C.1.4 output: Outgoing power/inverter information

Name	Description	Example value
output.voltage	Output voltage (V)	120.9
output.voltage.nominal	Nominal output voltage (V)	120
output.frequency	Output frequency (Hz)	59.9
output.frequency.nominal	Nominal output frequency (Hz)	60
output.current	Output current (A)	4.25
output.current.nominal	Nominal output current (A)	5.0

C.1.5 Three-phase additions

The additions for three-phase measurements would produce a very long table due to all the combinations that are possible, so these additions are broken down to their base components.

Phase Count Determination

input.phases (3 for three-phase, absent or 1 for 1phase) output.phases (as for input.phases)

DOMAINS

Any input or output is considered a valid DOMAIN.

input (should really be called input.mains, but keep this for compat) input.bypass input.servicebypass

output (should really be called output.load, but keep this for compat) output.bypass output.inverter output.servicebypass

Specification (SPEC)

Voltage, current, frequency, etc are considered to be a specification of the measurement.

With this notation, the old 1phase naming scheme becomes DOMAIN.SPEC Example: `input.current`

CONTEXT

When in three-phase mode, we need some way to specify the target for most measurements in more detail. We call this the CONTEXT.

With this notation, the naming scheme becomes DOMAIN.CONTEXT.SPEC when in three-phase mode. Example: `input.L1.curre`

Valid CONTEXTs

```

L1-L2 \
L2-L3 \
L3-L1   for voltage measurements
L1-N   /
L2-N   /
L3-N   /

L1 \
L2   for current and power measurements
L3 /
N   - for current measurement

```

Valid SPECS

Valid with/without context (ie. per phase or aggregated/averaged)

Name	Description
current	Current (A)
current.maximum	Maximum seen current (A)
current.minimum	Minimum seen current (A)
current.peak	Peak current
voltage	Voltage (V)
voltage.nominal	Nominal voltage (V)
voltage.maximum	Maximum seen voltage (V)
voltage.minimum	Minimum seen voltage (V)
power	Apparent power (VA)
power.maximum	Maximum seen apparent power (VA)
power.minimum	Minimum seen apparent power (VA)
power.percent	Percentage of apparent power related to maximum load
power.maximum.percent	Max seen percentage of apparent power
power.minimum.percent	Min seen percentage of apparent power
realpower	Real power (W)
powerfactor	Power Factor (dimensionless value between 0.00 and 1.00)
crestfactor	Crest Factor (dimensionless value greater or equal to 1)

Valid without context (ie. aggregation of all phases):

Name	Description
frequency	Frequency (Hz)
frequency.nominal	Nominal frequency (Hz)

C.1.6 EXAMPLES

Partial Three phase - Three phase example:

```

input.phases: 3
input.frequency: 50.0
input.L1.current: 133.0
input.bypass.L1-L2.voltage: 398.3
output.phases: 3
output.L1.power: 35700
output.powerfactor: 0.82

```

Partial Three phase - One phase example:

```
input.phases: 3
input.L2.current: 48.2
input.N.current: 3.4
input.L3-L1.voltage: 405.4
input.frequency: 50.1
output.phases: 1
output.current: 244.2
output.voltage: 120
output.frequency.nominal: 60.0
```

C.1.7 battery: Any battery details

Name	Description	Example value
battery.charge	Battery charge (percent)	100.0
battery.charge.low	Remaining battery level when UPS switches to LB (percent)	20
battery.charge.restart	Minimum battery level for UPS restart after power-off	20
battery.charge.warning	Battery level when UPS switches to "Warning" state (percent)	50
battery.voltage	Battery voltage (V)	24.84
battery.voltage.nominal	Nominal battery voltage (V)	024
battery.voltage.low	Minimum battery voltage, that triggers FSD status	21,52
battery.voltage.high	Maximum battery voltage (Ie battery.charge = 100)	26,9
battery.capacity	Battery capacity (Ah)	7.2
battery.current	Battery current (A)	1.19
battery.temperature	Battery temperature (degrees C)	050.7
battery.runtime	Battery runtime (seconds)	1080
battery.runtime.low	Remaining battery runtime when UPS switches to LB (seconds)	180
battery.runtime.restart	Minimum battery runtime for UPS restart after power-off (seconds)	120
battery.alarm.threshold	Battery alarm threshold	0 (immediate)
battery.date	Battery change date (opaque string)	11/14/00
battery.mfr.date	Battery manufacturing date (opaque string)	2005/04/02
battery.packs	Number of battery packs	001
battery.packs.bad	Number of bad battery packs	000
battery.type	Battery chemistry (opaque string)	PbAc
battery.protection	Prevent deep discharge of battery	yes
battery.energysave	Switch off when running on battery and no/low load	no

C.1.8 ambient: Conditions from external probe equipment

Name	Description	Example value
ambient.temperature	Ambient temperature (degrees C)	25.40
ambient.temperature.alarm	Temperature alarm (enabled/disabled)	enabled
ambient.temperature.high	Temperature threshold high (degrees C)	40

Name	Description	Example value
ambient.temperature.low	Temperature threshold low (degrees C)	5
ambient.temperature.maximum	Maximum temperature seen (degrees C)	37.6
ambient.temperature.minimum	Minimum temperature seen (degrees C)	18.1
ambient.humidity	Ambient relative humidity (percent)	038.8
ambient.humidity.alarm	Relative humidity alarm (enabled/disabled)	enabled
ambient.humidity.high	Relative humidity threshold high (percent)	80
ambient.humidity.low	Relative humidity threshold low (percent)	10
ambient.humidity.maximum	Maximum relative humidity seen (percent)	60
ambient.humidity.minimum	Minimum relative humidity seen (percent)	13

C.1.9 outlet: Smart outlet management

Note

n stands for the outlet index. For more information, refer to the NUT outlets management and PDU notes chapter of the user manual. A special case is "outlet.0" which is equivalent to "outlet", and represent the whole set of outlets of the device.

Name	Description	Example value
outlet.n.id	Outlet system identifier (opaque string)	1
outlet.n.desc	Outlet description (opaque string)	Main outlet
outlet.n.switch	Outlet switch control (on/off)	on
outlet.n.status	Outlet switch status (on/off)	on
outlet.n.switchable	Outlet switch ability (yes/no)	yes
outlet.n.autoswitch.charge.low	Remaining battery level to power off this outlet (percent)	80
outlet.n.battery.charge.low	Remaining battery level to power off this outlet (percent)	80
outlet.n.delay.shutdown	Interval to wait before shutting down this outlet (seconds)	180
outlet.n.delay.start	Interval to wait before restarting this outlet (seconds)	120
outlet.n.timer.shutdown	Time before the outlet load will be shutdown (seconds)	20
outlet.n.timer.start	Time before the outlet load will be started (seconds)	30
outlet.n.current	Current (A)	0.19
outlet.n.current.maximum	Maximum seen current (A)	0.56
outlet.n.realpower	Current value of real power (W)	28
outlet.n.voltage	Voltage (V)	247.0
outlet.n.powerfactor	Power Factor (dimensionless value between 0 and 1)	0.85
outlet.n.crestfactor	Crest Factor (dimensionless, equal to or greater than 1)	1.41
outlet.n.power	Apparent power (VA)	46

C.1.10 driver: Internal driver information

Name	Description	Example value
driver.name	Driver name	usbhid-ups
driver.version	Driver version (NUT release)	X.Y.Z
driver.version.internal	Internal driver version (if tracked separately)	1.23.45
driver.parameter.xxx	Parameter xxx (ups.conf or cmdline -x) setting	(varies)
driver.flag.xxx	Flag xxx (ups.conf or cmdline -x) status	enabled (or absent)

C.1.11 server: Internal server information

Name	Description	Example value
server.info	Server information	Network UPS Tools upsd vX.Y.Z - http://www.networkupstools.org/
server.version	Server version	X.Y.Z

C.2 Instant commands

Name	Description
load.off	Turn off the load immediately
load.on	Turn on the load immediately
load.off.delay	Turn off the load possibly after a delay
load.on.delay	Turn on the load possibly after a delay
shutdown.return	Turn off the load possibly after a delay and return when power is back
shutdown.stayoff	Turn off the load possibly after a delay and remain off even if power returns
shutdown.stop	Stop a shutdown in progress
shutdown.reboot	Shut down the load briefly while rebooting the UPS
shutdown.reboot.graceful	After a delay, shut down the load briefly while rebooting the UPS
test.panel.start	Start testing the UPS panel
test.panel.stop	Stop a UPS panel test
test.failure.start	Start a simulated power failure
test.failure.stop	Stop simulating a power failure
test.battery.start	Start a battery test
test.battery.start.quick	Start a "quick" battery test
test.battery.start.deep	Start a "deep" battery test
test.battery.stop	Stop the battery test
calibrate.start	Start runtime calibration
calibrate.stop	Stop runtime calibration
bypass.start	Put the UPS in bypass mode
bypass.stop	Take the UPS out of bypass mode
reset.input.minmax	Reset minimum and maximum input voltage status
reset.watchdog	Reset watchdog timer (forced reboot of load)
beeper.enable	Enable UPS beeper/buzzer
beeper.disable	Disable UPS beeper/buzzer
beeper.mute	Temporarily mute UPS beeper/buzzer
beeper.toggle	Toggle UPS beeper/buzzer
outlet.n.shutdown.return	Turn off the outlet possibly after a delay and return when power is back

Name	Description
outlet.n.load.off	Turn off the outlet immediately
outlet.n.load.on	Turn on the outlet immediately
outlet.n.load.cycle	Power cycle the outlet immediately

D Hardware Compatibility List

Refer to the [online HCL](#).

E Documentation

E.1 User Documentation

- [FAQ - Frequently Asked Questions](#)
- [NUT user manual](#)
- [Cables information](#)
- [User manual pages](#)

E.2 Developer Documentation

- [NUT Developer Guide](#)
- [NUT Packager Guide](#)
- [UPS protocols library](#)
- [Developer manual pages](#)
- [NUT Quality Assurance](#)

E.3 Offsite Links

These are general information about UPS and PDU.

- [UPS HOWTO](#) (The Linux Documentation Project)
- [UPS on Wikipedia](#)
- [PDU on Wikipedia](#)
- [UPS on The PC Guide](#)

These are writeups by users of the software.

- [Deploying NUT on an Ubuntu 10.04 cluster](#) (*Stefano Angelone*)
 - [Monitoring a UPS with nut on Debian or Ubuntu Linux](#) (*Avery Fay*)
 - [Installation et gestion d'un UPS USB en réseau sous linux](#) (*Olivier Van Hoof, french*)
 - [Network UPS Tools \(NUT\) on Mac OS X \(10.4.10\)](#) (*Andy Poush*)
 - [Interfacing a Contact-Closure UPS to Mac OS X and Linux](#) (*David Hough*)
-

- [How to use UPS with nut on RedHat / Fedora Core](#) (*Kazutoshi Morioka*)
- [FreeBSD installation procedure](#) (*Thierry Thomas, from FreeBSD*)
- [Gestionando un SAI desde OpenBSD con NUT](#) (*Juan J. Martinez, spanish*)
- [HOWTO: MGE Ellipse 300 on gentoo](#) (*nielchiano*)
- [Cum se configurează un UPS Apollo seria 1000F pe Linux](#) (*deschis, Romanian*)
- [Install a UPS \(nut\) on a Buffalo NAS](#) (*various authors*)
- [NUT Korean GuideBook](#) (*PointBre*)

E.4 News articles and Press releases

- [Linux UPS Without Tears](#) (*A. Lizard*)
- [Graceful UPS shutdowns on Linux](#) (*Carla Schroder*)

F Support instructions

There are various ways to obtain support for NUT.

F.1 Documentation

- First, be sure to read the [FAQ](#). The most common problems are already addressed there.
- Else, you can read the [NUT user manual](#). It also covers many areas about installing, configuring and using NUT. The specific steps on system integration are also discussed.
- Finally, [User manual pages](#) will also complete the User Manual provided information. At least, read the manual page related to your driver(s).

F.2 Mailing lists

If you have still not found a solution, you should search the lists before posting a question.

Someone may have already solved the problem:

[search on the NUT lists using Google](#)

Finally, you can **subscribe** to a NUT mailing list to:

F.2.1 Request help

Use the [NUT Users](#) mailing list.

In this case, be sure to include the following information:

- OS name and version,
- exact NUT version,
- NUT installation method: from source tarball, package or Subversion,
- exact device name and related information (manufacturing date, web pointers, ...),
- complete problem description, with any relevant traces, like system log excerpts, and driver debug output. You can obtain the latter using the following command, as root and after having stopped NUT:

```
/path/to/driver -DD -a <upsname>
```

If you don't include the above information in your help request, we will not be able to help you!

F.2.2 Post a patch, ask a development question, ...

Use the [NUT Developers](#) mailing list.

Refer to the [NUT Developer Guide](#) for more information, and the chapter on how to [submit patches](#).

F.2.3 Discuss packaging and related topics

Use the [NUT Packagers](#) mailing list.

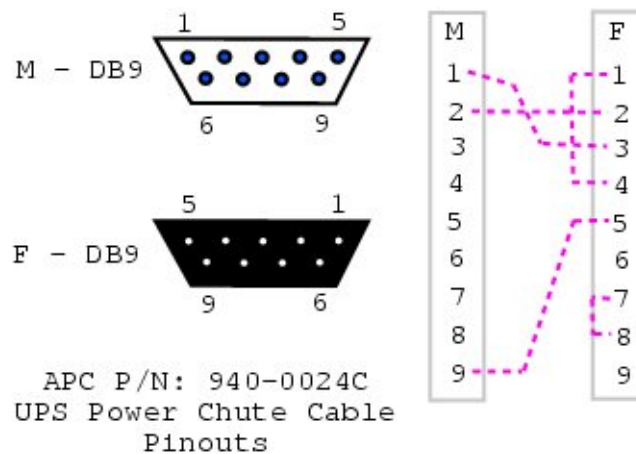
Refer to the [NUT Packager Guide](#) for more information.

G Cables information

G.1 APC

G.1.1 940-0024C clone

From [D. Stimits](#)



Note

The original 940-0024C diagram was contributed by Steve Draper.

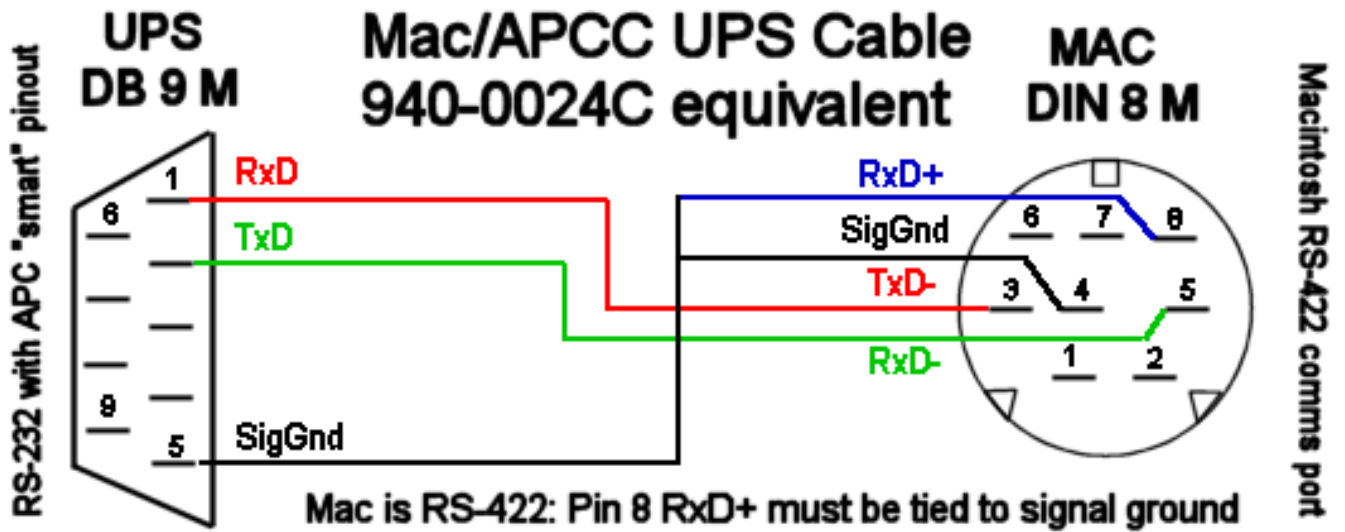
G.1.2 940-0024E clone

Reported by [Jonathan Laventhol](#)

This cable is said to use the same wiring as 940-0024C clone.

G.1.3 940-0024C clone for Macs

From [Miguel Howard](#)



G.2 Belkin

G.2.1 OmniGuard F6C***-RKM

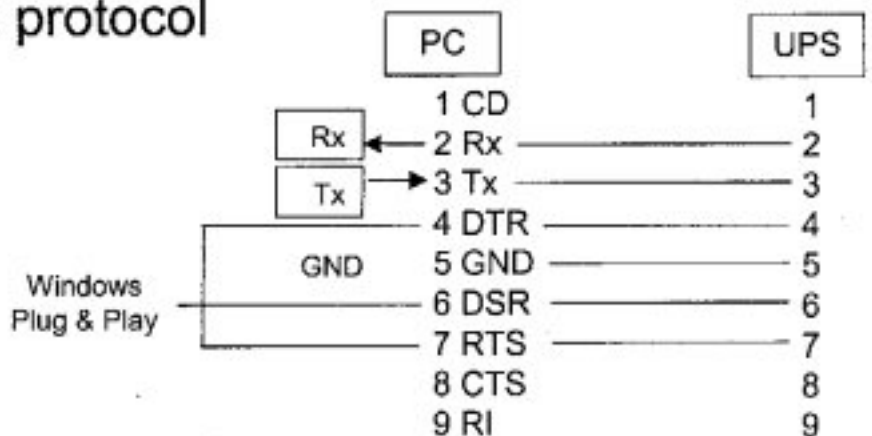
From "Daniel"

A straight-through RS-232 cable (with pins 2-7 connected through) should work with the following models:

- F6C110-RKM-2U
- F6C150-RKM-2U
- F6C230-RKM-2U
- F6C320-RKM-3U

● RS232

Character based protocol



G.3 Eaton

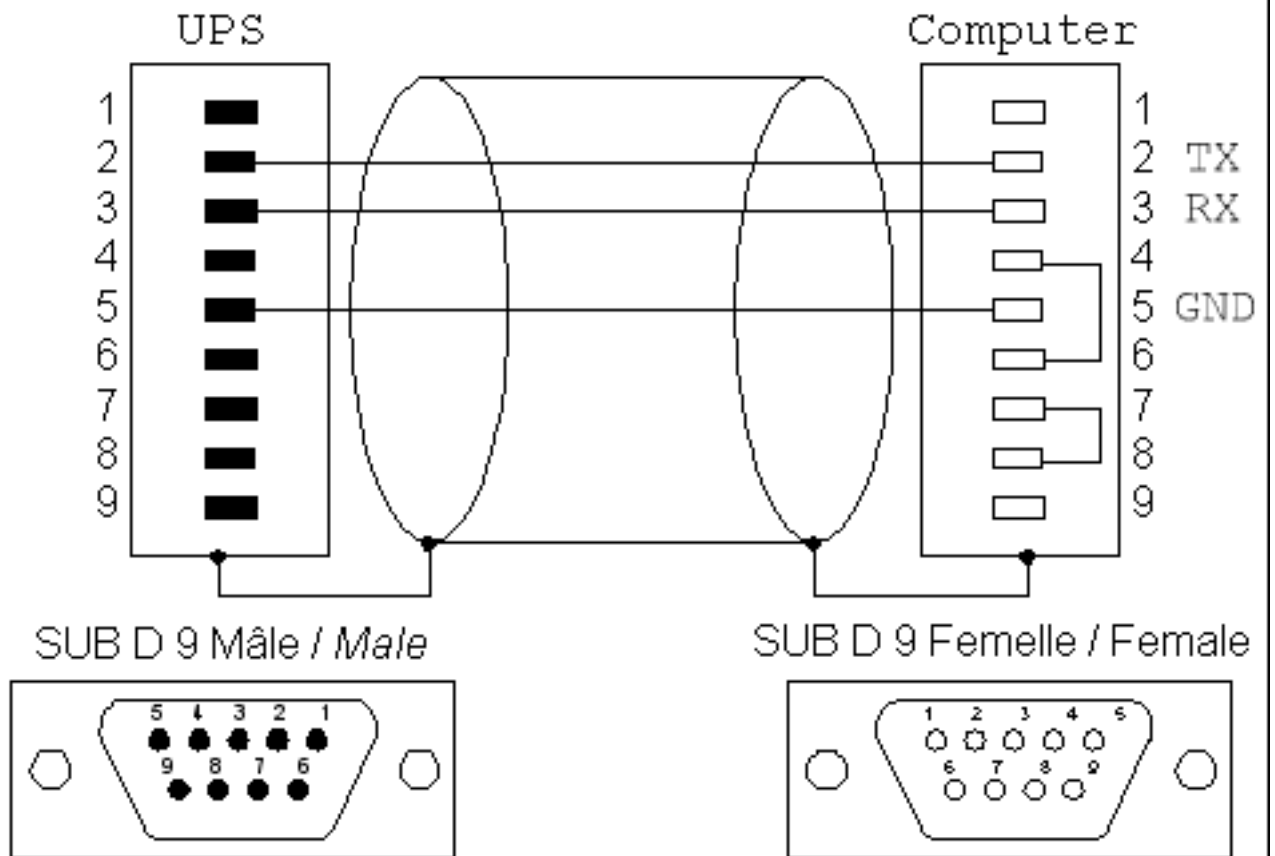
Documents in this section are provided courtesy of Eaton.

G.3.1 MGE Office Protection Systems

The two first cables also applies to MGE UPS SYSTEMS.

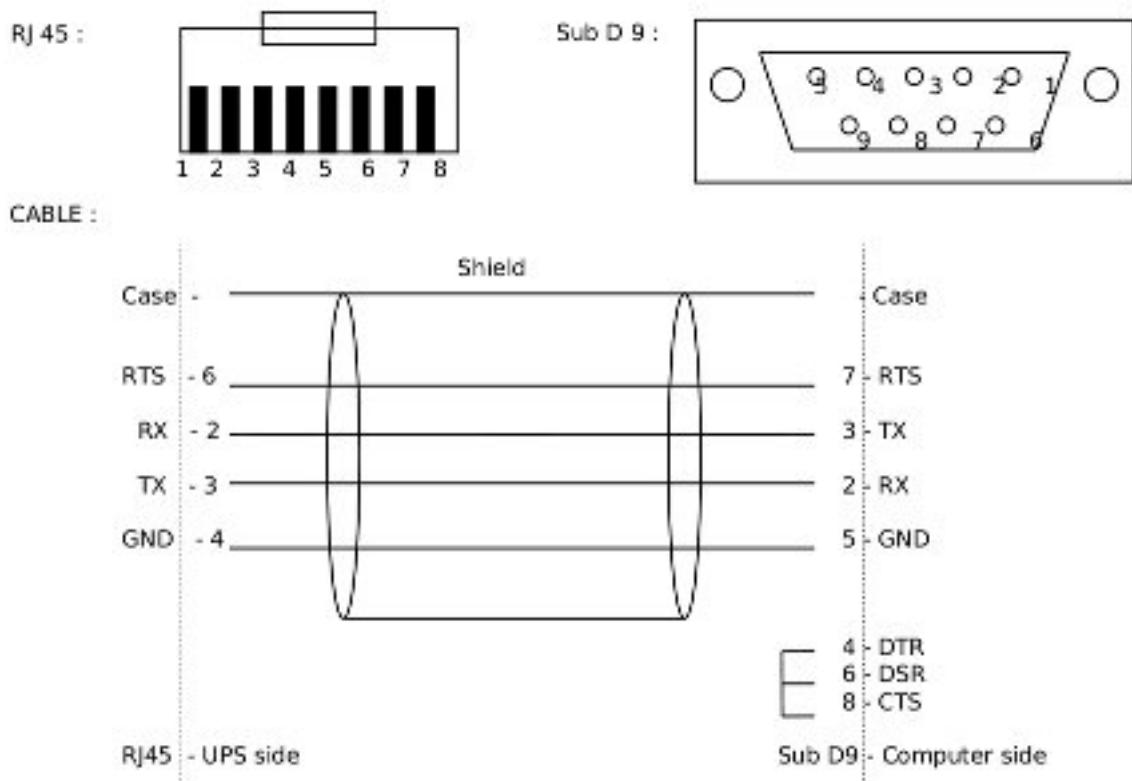
DB9-DB9 cable (ref 66049)

This is the standard serial cable, used on most units.



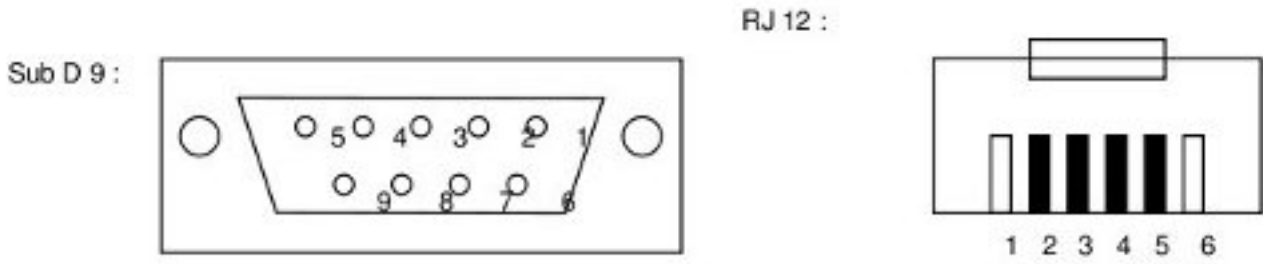
DB9-RJ45 cable

This cable is used on the more recent models, including Ellipse MAX, Protection Station, ...

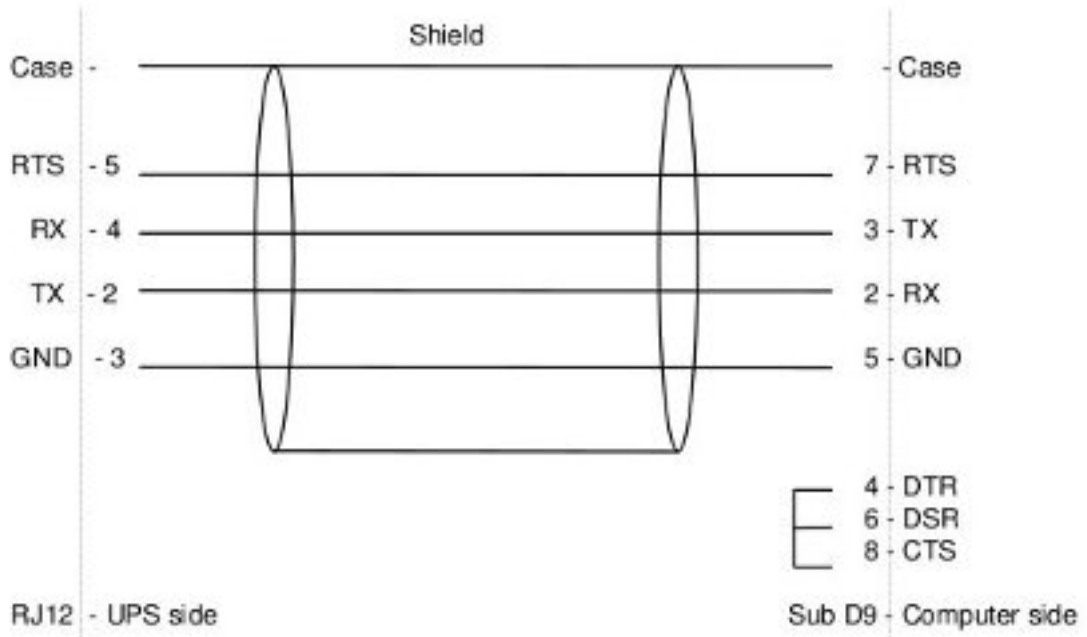


DB9-RJ12 cable

This cable is used on some older Ellipse models.



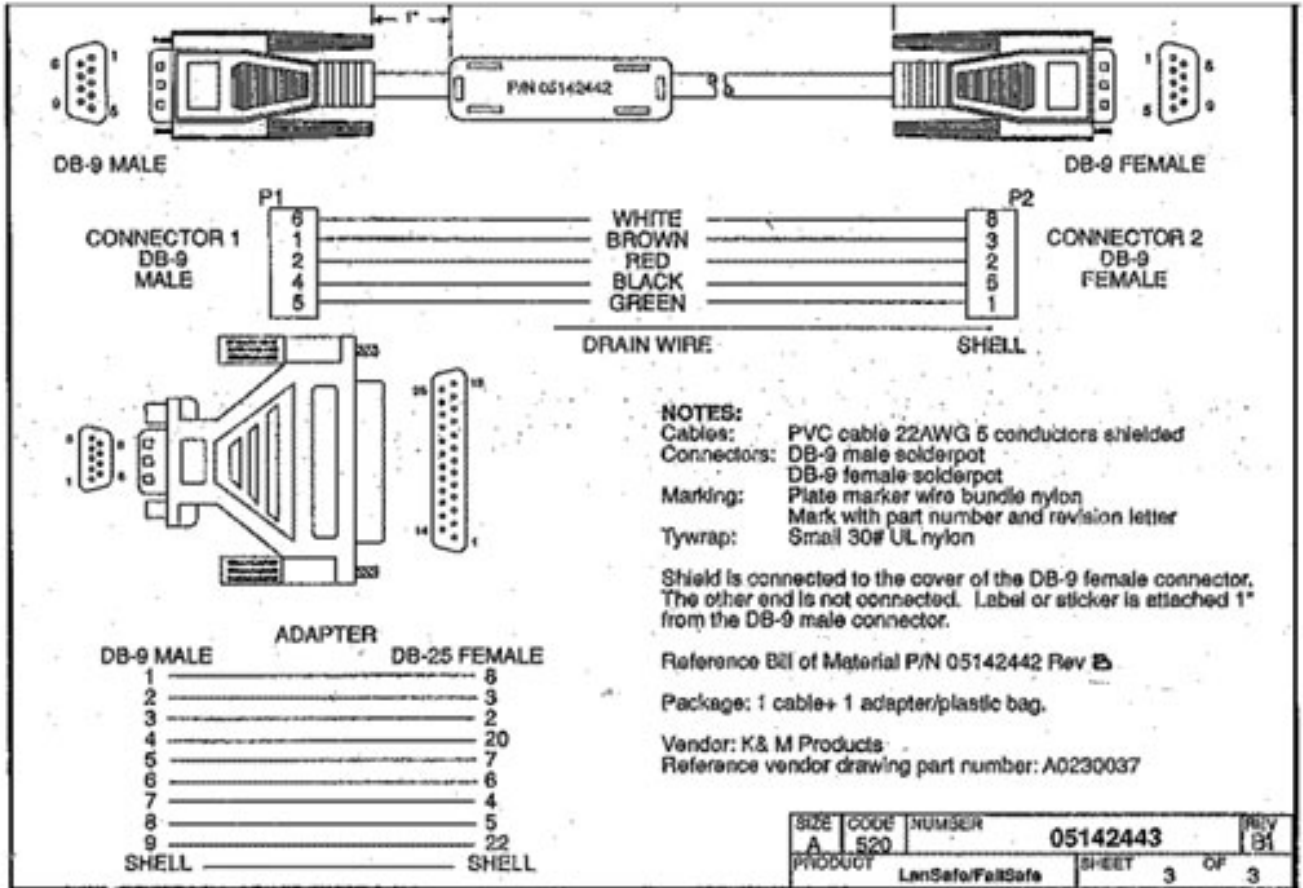
CABLE :



G.3.2 Powerware LanSafe

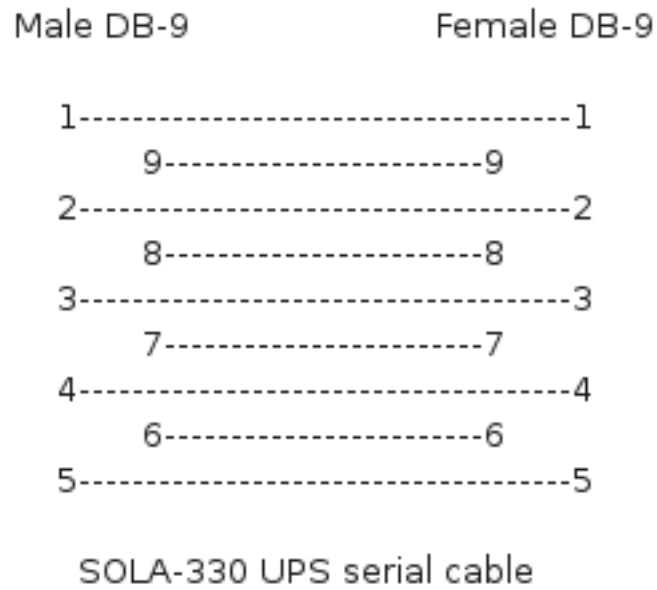
LanSafe for

3115 / 5105 / 5119/9110/9150 / 9305



G.3.3 SOLA-330

Just uses a normal serial cable, with pin 1-1 through to 9-9.



G.4 HP - Compaq

G.4.1 Older Compaq UPS Family

This cable can be used with the following models:

T700, T1000, T1500, T1500j, T700h, T1000h, T1500h, R1500, R1500j, R1500h, T2000, T2000j, T2400h, T2400h-NA, R3000 / R3000j, R3000h, R3000h-International, R3000h-NA, R6000h-NA, R6000i, R6000j.

UPS PC 9 pin connector

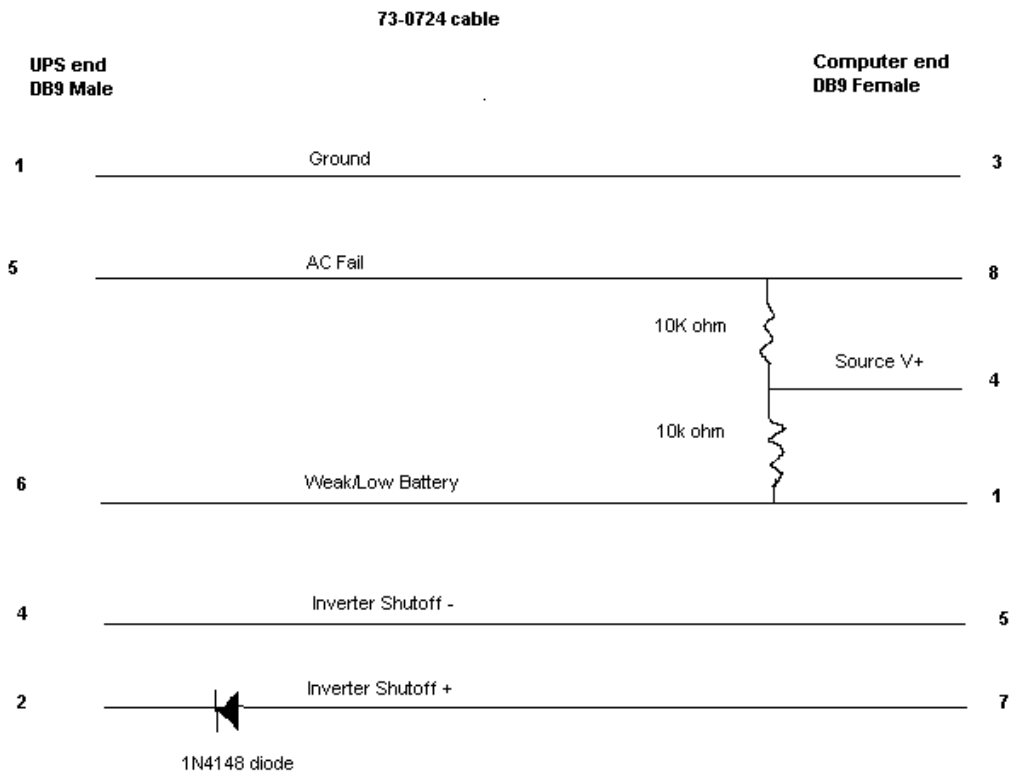
1 -----	3
2 -----	2
	4 - \
4 -----	5
	6 - /
6 -----	7

Contributed by Kjell Claesson and Arnaud Quette.

G.5 Tripp-Lite

From Tripp-Lite, via Bryan Kolodziej

This cable (black 73-0844 cable) is used on various models, using the "Lan 2.2 interface" and the genericups driver (upstype=5).



H Configure options

There are a few options that can be given to configure to tweak compiles. See also `./configure --help` for a current and complete listing.

H.1 Driver selection

`--with-serial`

Build and install the serial drivers (default: yes)

`--with-usb`

Build and install the USB drivers (default: auto-detect) Note that you need to install the libusb development package or files.

`--with-snmp`

Build and install the SNMP drivers (default: auto-detect) Note that you need to install libsnmp development package or files.

`--with-neon`

Build and install the XML drivers (default: auto-detect) Note that you need to install neon development package or files.

```
--with-powerman
```

Build and install Powerman PDU client driver (default: auto-detect) This allows to interact with the Powerman daemon, and the numerous Power Distribution Units (PDU) supported by the project. Note that you need to install powerman development package or files.

```
--with-ipmi  
--with-freeipmi
```

Build and install IPMI PSU driver (default: auto-detect) This allows to monitor numerous Power Supply Units (PSU) found on servers. Note that you need to install freeipmi (0.8.5 or higher) development package or files.

```
--with-drivers=<driver>,<driver>,...
```

Specify exactly which driver or drivers to build and install (this works for serial, usb, and snmp drivers, and overrides the preceding three options).

As of the time of this writing (2010), there are 46 UPS drivers available. Most users will only need one, a few will need two or three, and very few people will need all of them.

To save time during the compile and disk space later on, you can use this option to just build and install a subset of the drivers. To select mge-shut and usbhid-ups, you'd do this:

```
--with-drivers=apcsmart,usbhid-ups
```

If you need to build more drivers later on, you will need to rerun configure with a different list. To make it build all of the drivers from scratch again, run *make clean* before starting.

H.2 Optional features

```
--with-cgi (default: no)
```

Build and install the optional CGI programs, HTML files, and sample CGI configuration files. This is not enabled by default, as they are only useful on web servers. See data/html/README for additional information on how to set up CGI programs.

```
--with-doc=<output-format(s)> (default: no)
```

Build and install NUT documentation file(s). The possible values are "html-single" for single page HTML, "html-chunked" for multi pages HTML, "pdf" for a PDF file or "auto" to build all the possible previous documentation formats. Verbose output can be enabled using: `ASCIIDOC_VERBOSE=-v make`

This feature requires AsciiDoc 8.6.3 (<http://www.methods.co.nz/asciidoc>).

```
--with-lib (default: no)
```

Build and install the upsclient library and header files.

```
--with-all (no default)
```

Build and install all of the above (the serial, USB, SNMP, XML/HTTP and PowerMan drivers, the CGI programs and HTML files, and the upsclient library).

`--with-ssl` (default: auto-detect)

Enable SSL development code. Read the section "Configuring SSL" in docs/security.txt for instructions on SSL support.

`--with-wrap` (default: auto-detect)

Enable libwrap (tcp-wrappers) support. Refer to upsd man page for more information.

`--with-ipv6` (default: auto-detect)

Enable IPv6 support.

`--with-hal` (default: no)

Build and install Hardware Abstraction Layer support. If you own a USB unit, only protect your local system and run the Gnome or KDE desktop, this will enable a full Plug & Play usage. See docs/nut-hal.txt for additional information on how to set up and use HAL support.

`--with-avahi` (default: auto-detect)

Build and install Avahi support, to publish NUT server availability using mDNS protocol.

H.3 Other configuration options

`--with-port=PORT`

Change the TCP port used by the network code. Default is 3493.

Ancient versions of upsd used port 3305. NUT 2.0 and up use a substantially different network protocol and are not able to communicate with anything older than the 1.4 series.

If you have to monitor a mixed environment, use the last 1.4 version, as it contains compatibility code for both the old "REQ" and the new "GET" versions of the protocol.

`--with-user=<username>`

`--with-group=<groupname>`

Programs started as root will `setuid()` to `<username>` for somewhat safer operation. You can override this with `-u <user>` in several programs, including `upsdrvctl` (and all drivers by extension), `upsd`, and `upsmon`. The "user" directive in `ups.conf` overrides this at run time for the drivers.

Note

`upsmon` does not totally drop root because it may need to initiate a shutdown. There is always at least a stub process remaining with root powers. The network code runs in another (separate) process as the new user.

The `<groupname>` is used for the permissions of some files, particularly the hotplugging rules for USB. The idea is that the device files for any UPS devices should be readable and writable by members of that group.

The default value for both the `username` and `groupname` is "nobody". This was done since it's slightly better than staying around as root. Running things as nobody is not a good idea, since it's a hack for NFS access. You should create at least one separate user for this software.

If you use one of the `--with-user` and `--with-group` options, then you have to use the other one too.

See the INSTALL document and the FAQ for more on this topic.

`--with-logfacility=FACILITY`

Change the facility used when writing to the log file. Read the man page for `openlog` to get some idea of what's available on your system. Default is `LOG_DAEMON`.

H.4 Installation directories

`--prefix=PATH`

This is a fairly standard option with GNU autoconf, and it sets the base path for most of the other install directories. The default is `/usr/local/ups`, which puts everything but the state sockets in one easy place.

If you like having things to be at more of a "system" level, setting the prefix to `/usr/local` or even `/usr` might be better.

`--exec_prefix=PATH`

This sets the base path for architecture dependent files. By default, it is the same as `<prefix>`.

`--sysconfdir=PATH`

Changes the location where NUT's configuration files are stored. By default this path is `<prefix>/etc`. Setting this to `/etc` or `/etc/ups` might be useful.

The `NUT_CONFPATH` environment variable overrides this at run time.

`--bindir=PATH`
`--sbindir=PATH`

Where executable files will be installed. Files that are normally executed by root (`upsd`, `upsmon`, `upssched`) go to `sbindir`, all others to `bindir`. The defaults are `<exec_prefix>/bin` and `<exec_prefix>/sbin`.

`--datadir=PATH`

Change the data directory, i.e., where architecture independent read-only data is installed. By default this is `<prefix>/share`, i.e., `/usr/local/ups/share`. At the moment, this directory only holds two files - the optional `cmdvartab` and `driver.list`.

`--mandir=PATH`

Sets the base directories for the man pages. The default is `<prefix>/man`, i.e., `/usr/local/ups/man`.

`--includedir=PATH`

Sets the path for include files to be installed when `--with-lib` is selected. For example, `upsclient.h` is installed here. The default is `<prefix>/include`.

`--libdir=PATH`

Sets the installation path for libraries. This is just the `upsclient` library for now. The default is `<exec_prefix>/lib`.

`--with-drivpath=PATH`

The UPS drivers will be installed to this path. By default they install to `"<exec_prefix>/bin"`, i.e., `/usr/local/ups/bin`.

The "driverpath" global directive in the `ups.conf` file overrides this at run time.

`--with-cgipath=PATH`

The CGI programs will be installed to this path. By default, they install to "<exec_prefix>/cgi-bin", which is usually /usr/local/ups/cgi-bin.

If you set the prefix to something like /usr, you should set the cgipath to something else, because /usr/cgi-bin is pretty ugly and non-standard.

The CGI programs are not built or installed by default. Use "./configure --with-cgi" to request that they are built and installed.

```
--with-htmlpath=PATH
```

HTML files will be installed to this path. By default, this is "<prefix>/html". Note that HTML files are only installed if --with-cgi is selected.

```
--with-pkgconfig-dir=PATH
```

Where to install pkg-config *.pc files. This option only has an effect if --with-lib is selected, and causes a pkg-config file to be installed in the named location. The default is <exec_prefix>/pkgconfig.

Use --without-pkgconfig-dir to disable this feature altogether.

```
--with-hotplug-dir=PATH
```

Where to install Linux 2.4 hotplugging rules. The default is /etc/hotplug, if that directory exists, and not to install it otherwise. Note that this installation directory is not a subdirectory of <prefix> by default. When installing NUT as a non-root user, you may have to override this option.

Use --without-hotplug-dir to disable this feature altogether.

```
--with-udev-dir=PATH
```

Where to install Linux 2.6 hotplugging rules, for kernels that have the "udev" mechanism. The default is /etc/udev, if that directory exists, and not to install it otherwise. Note that this installation directory is not a subdirectory of <prefix> by default. When installing NUT as a non-root user, you may have to override this option.

Use --without-udev-dir to disable this feature altogether.

H.5 Directories used by NUT at run-time

```
--with-pidpath=PATH
```

Changes the directory where pid files are stored. By default this is /var/run. Certain programs like upsmon will leave files here.

```
--with-althpidpath=PATH
```

Programs that normally don't have root powers, like the drivers and upsd, write their pid files here. By default this is whatever the statepath is, as those programs should be able to write there.

```
--with-statepath=PATH
```

Change the default location of the state sockets created by the drivers.

The NUT_STATEPATH environment variable overrides this at run time.

Default is /var/state/ups.

H.6 Things the compiler might need to find

```
--with-gd-includes="-I/foo/bar"
```

If you installed gd in some place where your C preprocessor can't find the header files, use this switch to add additional -I flags.

```
--with-gd-libs="-L/foo/bar -labcd -lxyz"
```

If your copy of gd isn't linking properly, use this to give the proper -L and -l flags to make it work. See LIBS= in gd's Makefile.

Note

the --with-gd switches are not necessary if you have gd 2.0.8 or higher installed properly. The gdlib-config script will be detected and used by default in that situation.

```
--with-ssl-includes, --with-usb-includes, --with-snmp-includes,  
--with-neon-includes, --with-powerman-includes="-I/foo/bar"
```

If your system doesn't have pkg-config and support for any of the above libraries isn't found (but you know it is installed), you must specify the compiler flags that are needed.

```
--with-ssl-libs, --with-usb-libs, --with-snmp-libs,  
--with-neon-libs, --with-powerman-libs="-L/foo/bar -labcd -lxyz"
```

If your system doesn't have pkg-config and support for any of the above libraries isn't found (but you know it is installed), you must specify the linker flags that are needed.

H.7 HAL addons (deprecated)

```
--with-hal-includes="-DDBUS_API_SUBJECT_TO_CHANGE -I/usr/include/hal \  
-I/usr/include/dbus-1.0 -I/usr/lib/dbus-1.0/include"  
--with-hal-libs="-lhal -ldbuss-1 -lpthread"  
--with-hal-user="haldaemon"  
--with-hal-device-match-key="info.bus"  
--with-hal-callouts-path="{libdir}/hal"  
--with-hal-fdi-path="{datarootdir}/hal/fdi/information/20thirdparty"
```

If system doesn't have pkg-config or it fails to provides hints for some of the settings that are needed to set it up properly and the build in defaults are not right, you can specify the right variables here.

I Upgrading notes

This file lists changes that affect users who installed older versions of this software. When upgrading from an older version, be sure to check this file to see if you need to make changes to your system.

I.1 Changes from 2.6.3 to 2.6.4

- users are encouraged to update to NUT 2.6.4, to fix upsd vulnerability (CVE-2012-2944: upsd can be remotely crashed)
 - users of the bestups driver are encouraged to switch to blazer_ser, since bestups will soon be deprecated.
-

I.2 Changes from 2.6.2 to 2.6.3

- nothing that affects upgraded systems.

I.3 Changes from 2.6.1 to 2.6.2

- apcsmart driver has been replaced by a new implementation. In case of issue with this new version, users can revert to apcsmart-old.

I.4 Changes from 2.6.0 to 2.6.1

- nothing that affects upgraded systems.

I.5 Changes from 2.4.3 to 2.6.0

- users of the megatec and megatec_usb drivers must respectively switch to blazer_ser and blazer_usb.
- users of the liebertgxt2 driver are advised that the driver name has changed to liebert-esp2.

I.6 Changes from 2.4.2 to 2.4.3

- nothing that affects upgraded systems.

I.7 Changes from 2.4.1 to 2.4.2

- The default subdriver for the blazer_usb driver USB id 06da:0003 has changed. If you use such a device and it is no longer working with this driver, override the *subdriver* default in *ups.conf* (see man 8 blazer).
- NUT ACL and the allowfrom mechanism has been replaced in 2.4.0 by the LISTEN directive and tcp-wrappers respectively. This information was missing below, so a double note has been added.

I.8 Changes from 2.4.0 to 2.4.1

- nothing that affects upgraded systems.

I.9 Changes from 2.2.2 to 2.4.0

- The nut.conf file has been introduced to standardize startup configuration across the various systems.
 - The cpsups and nitram drivers have been replaced by the powerpanel driver, and removed from the tree. The cyberpower driver may suffer the same in the future.
 - The al175 and energizerups drivers have been removed from the tree, since these were tagged broken for a long time.
 - Developers of external client application using libupsclient must rename their "UPSCONN" client structure to "UPSCONN_t".
 - The upsd server will now disconnect clients that remain silent for more than 60 seconds.
 - The files under scripts/python/client are distributed under GPL 3+, whereas the rest of the files are distributed under GPL 2+. Refer to COPYING for more information.
 - The generated udev rules file has been renamed with dash only, no underscore anymore (ie 52-nut-usbups.rules instead of 52_nut-usbups.rules)
-

I.10 Changes from 2.2.1 to 2.2.2

- The configure option "--with-lib" has been replaced by "--with-dev". This enable the additional build and distribution of the static version of libupsclient, along with the pkg-config helper and manual pages. The default configure option is to distribute only the shared version of libupsclient. This can be overridden by using the "--disable-shared" configure option (distribute static only binaries).
- The UPS poweroff handling of the usbhid-ups driver has been reworked. Though regression is not expected, users of this driver are encouraged to test this feature by calling "upsmon -c fsd" and report any issue on the NUT mailing lists.

I.11 Changes from 2.2.0 to 2.2.1

- nothing that affects upgraded systems. (The below message is repeated due to previous omission)
- Developers of external client application using libupsclient are encouraged to rename their "UPSCONN" client structure to "UPSCONN_t" since the former will disappear by the release of NUT 2.4.

I.12 Changes from 2.0.5 to 2.2.0

- users of the newhidups driver are advised that the driver name has changed to usbhid-ups.
- users of the hidups driver must switch to usbhid-ups.
- users of the following drivers (powermust, blazer, fentonups, mustek, esupssmart, ippon, sms) must switch to megatec, which replaces all these drivers. Please refer to doc/megatec.txt for details.
- users of the mge-shut driver are encouraged to test newmge-shut, which is an alternate driver scheduled to replace mge-shut,
- users of the cpsups driver are encouraged to switch to powerpanel which is scheduled to replace cpsups,
- packagers will have to rework the whole nut packaging due to the major changes in the build system (completely modified, and now using automake). Refer to packaging/debian/ for an example of migration.
- specifying *-a <id>* is now mandatory when starting a driver manually, ie not using upsdrvctl.
- Developers of external client application using libupsclient are encouraged to rename the "UPSCONN" client structure to "UPSCONN_t" since the former will disappear by the release of NUT 2.4.

I.13 Changes from 2.0.4 to 2.0.5

- users of the newhidups driver: the driver is now more strict about refusing to connect to unknown devices. If your device was previously supported, but fails to be recognized now, add *productid=XXXX* to ups.conf. Please report the device to the NUT developer's mailing list.

I.14 Changes from 2.0.3 to 2.0.4

- nothing that affects upgraded systems.
- users of the following drivers (powermust, blazer, fentonups, mustek, esupssmart, ippon, sms, masterguard) are encouraged to switch to megatec, which should replace all these drivers by nut 2.2. For more information, please refer to doc/megatec.txt

I.15 Changes from 2.0.2 to 2.0.3

- nothing that affects upgraded systems.
 - hidups users are encouraged to switch to newhidups, as hidups will be removed by nut 2.2.
-

I.16 Changes from 2.0.1 to 2.0.2

- The newhidups driver, which is the long run USB support approach, needs hotplug files installed to setup the right permissions on device file to operate. Check newhidups manual page for more information.

I.17 Changes from 2.0.0 to 2.0.1

- The cyberpower1100 driver is now called cpsups since it supports more than just one model. If you use this driver, be sure to remove the old binary and update your ups.conf *driver=* setting with the new name.
- The upsstats.html template page has been changed slightly to reflect better HTML compliance, so you may want to update your installed copy accordingly. If you've customized your file, don't just copy the new one over it, or your changes will be lost!

I.18 Changes from 1.4.0 to 2.0.0

- The sample config files are no longer installed by default. If you want to install them, use *make install-conf* for the main programs, and *make install-cgi-conf* for the CGI programs.
- ACCESS is no longer supported in upsd.conf. Use ACCEPT and REJECT. Old way:

```
ACCESS grant all adminbox
ACCESS grant all webserver
ACCESS deny all all
```

New way:

```
ACCEPT adminbox
ACCEPT webserver
REJECT all
```

Note that ACCEPT and REJECT can take multiple arguments, so this will also work:

```
ACCEPT adminbox webserver
REJECT all
```

- The drivers no longer support sddelay in ups.conf or -d on the command line. If you need a delay after calling *upsdrvctl shutdown*, add a call to sleep in your shutdown script.
- The templates used by upsstats have changed considerably to reflect the new variable names. If you use upsstats, you will need to install new copies or edit your existing files to use the new names.
- Nobody needed UDP mode, so it has been removed. The only users seemed to be a few people like me with ancient asapm-ups binaries. If you really want to run asapm-ups again, bug me for the new patch which makes it work with upsclient.
- *make install-misc* is now *make install-lib*. The misc directory has been gone for a long time, and the target was ambiguous.
- The newapc driver has been renamed to apcsmart. If you previously used newapc, make sure you delete the old binary and fix your ups.conf. Otherwise, you may run the old driver from 1.4.
 - File trimmed here on changes from 1.2.2 to 1.4.0 *

For information before this point, start with version 2.4.1 and work back.

J Project history

This page is an attempt to document how everything came together.

The Network UPS Tools team would like to warmly thank Russell Kroll.

Russell initially started this project, maintaining and improving it for over 8 years (1996 - mid 2005).

J.1 Prototypes and experiments

J.1.1 May 1996: early status hacks

APC's Powerchute was running on kadets.d20.co.edu (a BSD/OS box) with SCO binary emulation. Early test versions ran in cron, pulled status from the log files and wrote them to a .plan file. You could see the results by fingering pwrchute@kadets.d20.co.edu while it lasted:

```
Last login Sat May 11 21:33 (MDT) on tty0 from intrepid.rmi.net
Plan:
Welcome to the UPS monitor service at kadets.d20.co.edu.
The Smart-UPS attached to kadets generated a report at 14:24:01 on 05/17/96.
During the measured period, the following data points were taken:
Voltage ranged from 115.0 VAC to 116.3 VAC.
The UPS generated 116.3 VAC at 60.00 Hz.
The battery level was at 27.60 volts.
The load placed on the UPS was 024.9 percent.
UPS temperature was measured at 045.0 degrees Celsius.
Measurements are taken every 10 minutes by the upsd daemon.
This report is generated by a script written by Russell Kroll<rkroll@kadets>.
Modified for compatibility with the BSD/OS cron daemon by Neil Schroeder
```

This same status data could also be seen with a web browser, since we had rigged up a CGI wrapper script which called finger.

J.1.2 January 1997: initial protocol tests

Initial tests with a freestanding non-daemon program provided a few basic status registers from the UPS. The 940-0024C cable was not yet understood, so this happened over the [attachment:apcevilhack.jpg evil two-wire serial hack].

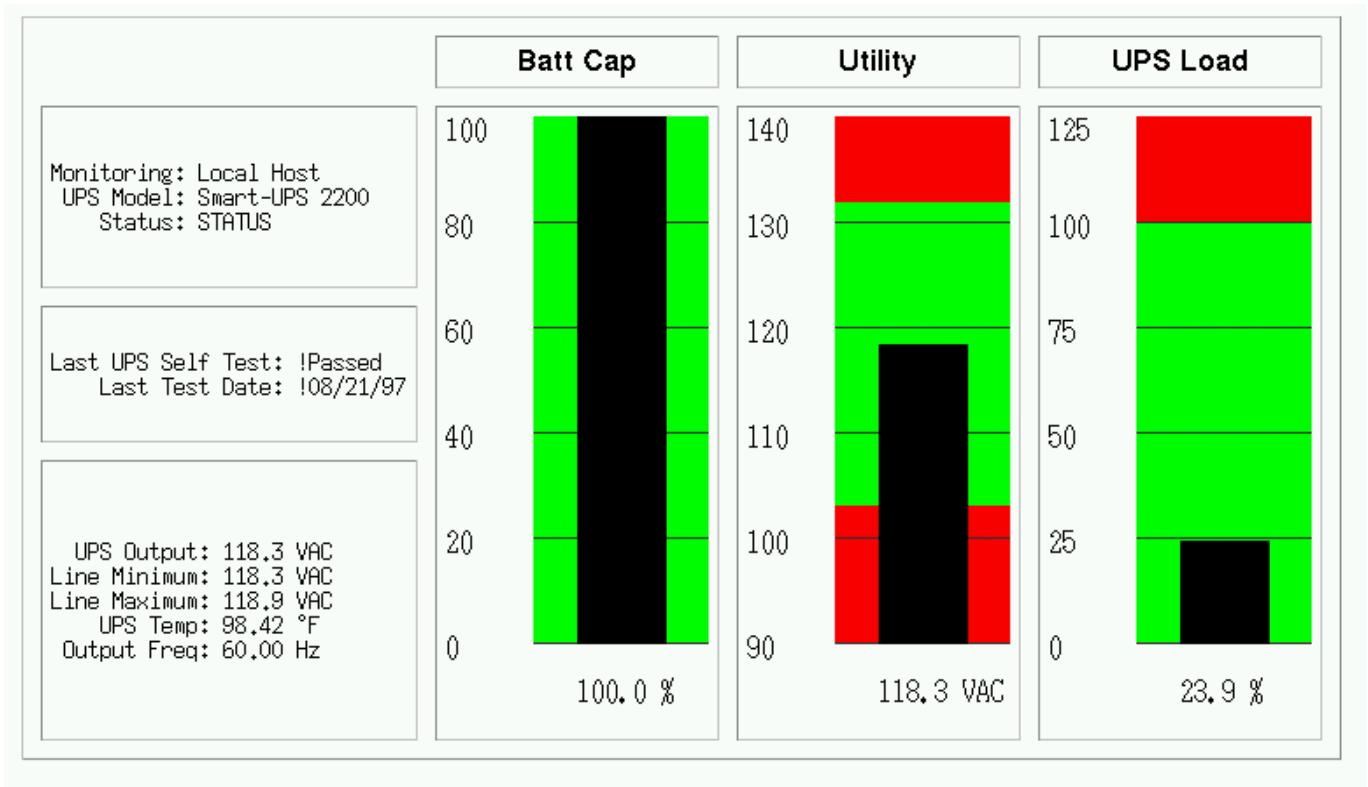
```
Communicating with SMART-UPS 700 S/N WS9643050926 [10/17/96]
Input voltage range: 117.6 VAC - 118.9 VAC
Load is 010.9% of capacity, battery is charged to 100.0% of capacity
```

Note that today's apcsmart driver still displays the serial number when it starts, since it is derived from this original code.

J.1.3 September 1997: first client/server code

The first split daemon/client code was written. upsd spoke directly to the UPS (APC Smart models only) and communicated with upsc by sending binary structures in UDP datagrams.

The first CGI interface existed, but it was all implemented with shell scripts. The main script would call upsc to retrieve status values. Then it would cat a template file through sed to plug them into the page.



upsstats actually has since returned to using templates, despite having a period in the middle when it used hardcoded HTML.

The images were also created with shell scripts. Each script would call `upsc` to get the right value (utility, upload, battcap). It then took the value, plugged it into a command file with `sed`, and passed that into `fly`, a program which used an interpreted language to create images. `fly` actually uses `gd`, just like `upsimage` does today.

This code later evolved into Smart UPS Tools 0.10.

J.2 Smart UPS Tools

J.2.1 March 1998: first public release

Version 0.10 was released on March 10, 1998. It used the same design as the pre-release prototype. This made expansion difficult as the binary structure used for network communications would break any time a new variable was added. Due to byte-ordering and struct alignment issues, the code usually couldn't talk over the network to a system with a different architecture. It was also hopelessly bound to one type of UPS hardware.

Five more releases followed with this design followed. The last was 0.34, released October 27, 1998.

J.2.2 June 1999: Redesigned, rewritten

Following a long period of inactivity and two months of prerelease testing versions, 0.40.0 was released on June 5, 1999. It featured a complete redesign and rewrite of all of the code. The layering was now in three pieces, with the single driver (`smartups`) separate from the server (`upsd`).

Clients remained separate as before and still used UDP to talk to the server, but they now used a text-based protocol instead of the brittle binary structs. A typical request like "REQ UTILITY" would be answered with "ANS UTILITY 120.0".

The `ups-trust425-625` driver appeared shortly after the release of 0.40.0, marking the first expansion beyond APC hardware.

Over the months that followed, the `backupspro` driver would be forked from the `smartups` driver to handle the APC Back-UPS Pro line. Then the `backups` driver was written to handle the APC Back-UPS contact-closure models. These drivers would later be renamed and recombined, with `smartups` and `backupspro` becoming `apcsmart`, and `backups` became `genericups`.

The drivers stored status data in an array. At first, they passed this data to upsd by saving it to a file. upsd would reread this file every few seconds to keep a copy for itself. This was later expanded to allow shared memory mode, where only a stub would remain on the disk. The drivers and server then passed data through the shared memory space.

upsd picked up the ability to monitor multiple drivers on the system, and the "upsname@hostname" scheme was born. Access controls were added, and then the network code was expanded to allow TCP communications, which at this point were on port 3305.

J.3 Network UPS Tools

J.3.1 September 1999: new name, new URL

Several visitors to the web page and subscribers to the mailing lists provided suggestions to rename the project. The old name no longer accurately described it, and it was perilously close to APC's "Smart-UPS" trademark. Rather than risk problems in the future, the name was changed. Kern Sibbald provided the winner: Network UPS Tools, which captures the essence of the project and makes for great short tarball filenames: nut-x.y.z.tar.gz.

The new name was first applied to 0.42.0, released October 31, 1999. This is also when the web pages moved from the old <http://www.exploits.org/~rkroll/smartupstools/> URL to the replacement at <http://www.exploits.org/nut> to coincide with the name change.

More drivers were written and the hardware support continued to grow. upsmon picked up the concepts of "master" and "slave", and could now handle environments where multiple systems get power from a single UPS. Manager mode was added to allow changing the value of read/write variables in certain UPS models.

J.3.2 June 2001: common driver core

Up to this point, all of the drivers compiled into freestanding programs, each providing their own implementation of main(). This meant they all had to check the incoming arguments and act uniformly. Unfortunately, not all of the programs behaved the same way, and it was hard to document and use consistently. It also meant that startup scripts had to be edited depending on what kind of hardware was attached.

Starting in 0.45.0, released June 11, 2001, there was a new common core for all drivers called main.c. It provided the main function and called back to the upsd*_ functions provided by the hardware-specific part of the drivers. This allowed driver authors to focus on the UPS hardware without worrying about the housekeeping stuff that needs to happen.

This new design provided an obvious way to configure drivers from one file, and ups.conf was born. This eventually spawned upsdrcvtl, and now all drivers based on this common core could be started or stopped with one command. Startup scripts now could contain "upsdrcvtl start", and it didn't matter what kind of hardware or how many UPSes you had on one system.

Interestingly, at the end of this month, Arnaud Quette entered the UPS world, as a subcontractor of the now defunct MGE UPS SYSTEMS. This marks the start of a future successful collaboration.

J.3.3 May 2002: casting off old drivers, IANA port, towards 1.0

During the 0.45.x series, both the old standalone drivers and the ones which had been converted to the common core were released together. Before the release of 0.50.0 on May 24, 2002, all of the old drivers were removed. While this shrank the list of supported hardware, it set the precedent for removing code which isn't receiving regular maintenance. The assumption is that the code will be brought back up to date by someone if they actually need it. Otherwise, it's just dead weight in the tree.

This change meant that all drivers could be controlled with upsdrcvtl and ups.conf, allowing the documentation to be greatly simplified. There was no longer any reason to say "do this, unless you have this driver, then do this".

IANA granted an official port number to the project, and the network code switched to port 3493. It had previously been on 3305 which is assigned to odette-ftp. 3305 was probably picked in 1997 because it was the fifth project to spawn from some common UDP server code.

After 0.50.1, the 0.99 tree was created to provide a tree which would receive nothing but bug fixes in preparation for the release of 1.0. As it turned out, very few things required fixing, and there were only three releases in this tree.

J.4 Leaving 0.x territory

J.4.1 August 2002: first stable tree: NUT 1.0.0

After nearly 5 years of having a 0.x version number, 1.0.0 was released on August 19, 2002. This milestone meant that all of the base features that you would expect to find were intact: good hardware support, a network server with security controls, and system shutdowns that worked.

The design was showing signs of wear from the rapid expansion, but this was intentionally ignored for the moment. The focus was on getting a good version out that would provide a reasonable base while the design issues could be addressed in the future, and I'm confident that we succeeded.

J.4.2 November 2002: second stable tree: NUT 1.2.0

One day after the release of 1.0.0, 1.1.0 started the new development tree. During that development cycle, the CGI programs were rewritten to use templates instead of hard-coded HTML, thus bringing back the flexibility of the original unreleased prototype from 5 years before. `multimon` was removed from the tree, as the new `upsstats` could do both jobs by loading different templates.

A new client library called `upsclient` was created, and it replaced `upsfetch`. This new library only supported TCP connections, and used an opaque context struct to keep state for each connection. As a result, client programs could now do things that used multiple connections without any conflicts. This was done primarily to allow OpenSSL support, but there were other benefits from the redesign.

`upsd` and the clients could now use OpenSSL for basic authentication and encryption, but this was not included by default. This was provided as a bonus feature for those users who cared to read about it and enable the option, as the initial setup was complex.

After the 1.1 tree was frozen and deemed complete, it became the second stable tree with the release of 1.2.0 on November 5, 2002.

J.4.3 April 2003: new naming scheme, better driver glue, and an overhauled protocol

Following an extended period with no development tree, 1.3.0 got things moving again on April 13, 2003. The focus of this tree was to rewrite the driver-server communication layer and replace the static naming scheme for variables and commands.

Up to this point, all variables had names like `STATUS`, `UTILITY`, and `OUTVOLT`. They had been created as drivers were added to the tree, and there was little consistency. For example, it probably should have been `INVOLT` and `OUTVOLT`, but there was no `OUTVOLT` originally, so `UTILITY` was all we had. This same pattern repeated with `ACFREQ` - is it incoming or outgoing? - and many more.

To solve this problem, all variables and commands were renamed to a hierarchical scheme that had obvious grouping. `STATUS` became `ups.status`. `UTILITY` turned into `input.voltage`, and `OUTVOLT` is `output.voltage`. `ACFREQ` is `input.frequency`, and the new `output.frequency` is also now supported. Every other variable or command was renamed in this fashion.

These variables had been shared between the drivers and `upsd` as values. That is, for each name like `STATUS`, there was a `#define` somewhere in the tree with an `INFO_` prefix that gave it a number. `INFO_STATUS` was `0x0006`, `INFO_UTILITY` was `0x0004`, and so on, with each name having a matching number. This number was stored in an `int` within a structure which was part of the array that was either written to disk or shared memory.

That structure had several restrictions on expansion and was dropped as the data sharing method between the drivers and the server. It was replaced by a new system of text-based messages over Unix domain sockets. Drivers now accepted a short list of commands from `upsd`, and would push out updates asynchronously. `upsd` no longer had to poll the state files or shared memory. It could just select all of the driver and client `fds` and act on events.

At the same time, the network protocol on port 3493 was overhauled to take advantage of the new naming scheme. The existing "REQ STATUS@su700", "ANS STATUS@su700 OL" scheme was showing signs of age, and it really only supported the UPS name (@su700) as an afterthought. The new protocol would now use commands like `GET` and `LIST`, leading to exchanges like "GET VAR su700 ups.status" and "VAR su700 ups.status OL". The responses contain enough data to stand alone, so clients can now handle them asynchronously.

J.4.4 July 2003: third stable tree: NUT 1.4.0

On July 25, 2003, 1.4.0 was released. It contained support for both the old "REQ" style protocol (with names like STATUS), and the new "GET" style protocol (with names like ups.status). This tree is provided to bridge the gap between all of the old releases and the upcoming 2.0.

2.0 will be released without support for the old REQ/STATUS protocol. The hope is that client authors and those who have implemented their own monitoring software will use the 1.4 cycle to change to the new protocol. The 1.4 releases contain a lot of compatibility code to make sure both work at the same time.

J.4.5 July 2003: pushing towards 2.0

1.5.0 forked from 1.4.0 and was released on July 29, 2003. The first changes were to throw out anything which was providing compatibility with the older versions of the software. This means that 1.5 and the eventual 2.0 will not talk to anything older than 1.4.

This tree continues to evolve with new serial routines for the drivers which are intended to replace the aging upscommon code which dates back to the early 0.x releases. The original routines would call alarm and read in a tight loop while fetching characters. The new functions are much cleaner, and wait for data with select. This makes for much cleaner code and easier strace/ktrace logs, since the number of syscalls has been greatly reduced.

There has also been a push to make sure the data from the UPS is well-formed and is actually usable before sending updates out to upsd. This started during 1.3 as drivers were adapted to use the dstate functions and the new variable/command names. Some drivers which were not converted to the new naming scheme or didn't do sanity checks on the incoming UPS data from the serial port were dropped from the tree.

This tree was released as 2.0.0.

J.5 networkupstools.org

J.5.1 November 2003: a new URL

The bandwidth demands of a project like this have slowly been forcing me to offload certain parts to other servers. The download links have pointed offsite for many months, and other large things like certain UPS protocols have followed. As the traffic grows, it's clear that having the project attached to exploits.org is not going to work.

The solution was to register a new domain and set up mirrors. There are two initial web servers, with more on the way. The main project URL has changed from <http://www.exploits.org/nut/> to <http://www.networkupstools.org>. The actual content is hosted on various mirrors which are updated regularly with rsync, so the days of dribbling bits through my DSL should be over.

This is also when all of the web pages were redesigned to have a simpler look with fewer links on the left side. The old web pages used to have 30 or more links on the top page, and most of them vanished when you dropped down one level. The links are now constant on the entire site, and the old links now live in their own groups in separate directories.

J.6 Second major version

J.6.1 March 2004: NUT 2.0.0

NUT 2.0.0 arrived on March 23, 2004. The jump to version 2 shows the difference in the protocols and naming that happened during the 1.3 and 1.5 development series. 2.0 no longer ships with backwards compatibility code, so it's smaller and cleaner than 1.4.

J.7 The change of leadership

J.7.1 February 2005: NUT 2.0.1

The year 2004 was marked by a release slowdown, since Russell was busy with personal subjects. But the patches queue was still growing quickly.

At that time, the development process was still centralized. There was no revision control system (like the current Subversion repository), nor trackers to interact with NUT development. Russell was receiving all the patches and requests, and doing all the work on his own, including releases.

Russell was more and more thinking about giving the project leadership to Arnaud Quette, which finally happened with the 2.0.1 release in February 2005.

This marked a new era for NUT. . .

First, Arnaud aimed at opening up the development by creating a project on the [Debian Alioth Forge](#). This allowed to build the team of hackers that Russell dreamed about. It also allows to ensure NUT's continuation, whatever happens to the leader. And that would most of all boost the projects contributions.
